



Installation instructions, accessories

Volvo Car Corporation Gothenburg, Sweden

Instruction No	Version	Part. No.
31414664	1.1	31414261

Parking assistance, pilot



Installation instructions, accessories

Volvo Car Corporation Gothenburg, Sweden

Special tools	
	999 7547 Hole punch Tool number:999 7547 Tool description:Hole punch Tool boards:80
	951 2950 Glue gun (kit) Tool number:951 2950 Tool description:Glue gun (kit) Tool boards:08
	999 7548 Hole punch Tool number:999 7548 Tool description:Hole punch Tool boards:80
	981 4204 Expander pliers Tool number:981 4204 Tool description:Expander pliers Tool boards:87
	951 2632 Terminal removal tool (Color code: RED) Tool number:951 2632 Tool description:Terminal removal tool (Color code: RED) Tool boards:39

Materials	
Designation	Part number
Isopropanol	1161721
Masking tape	
Bonding primer, plastic	31335448
Sand paper P1000	
Volvo Original Touch-up paint	
Varnish 2-component	31335447
Primer	1161765
Glue	9511027



Installation instructions, accessories

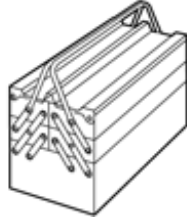
Volvo Car Corporation Gothenburg, Sweden

Mixing pipe	1161730
Lubricant	1161150

Equipment

VIDA

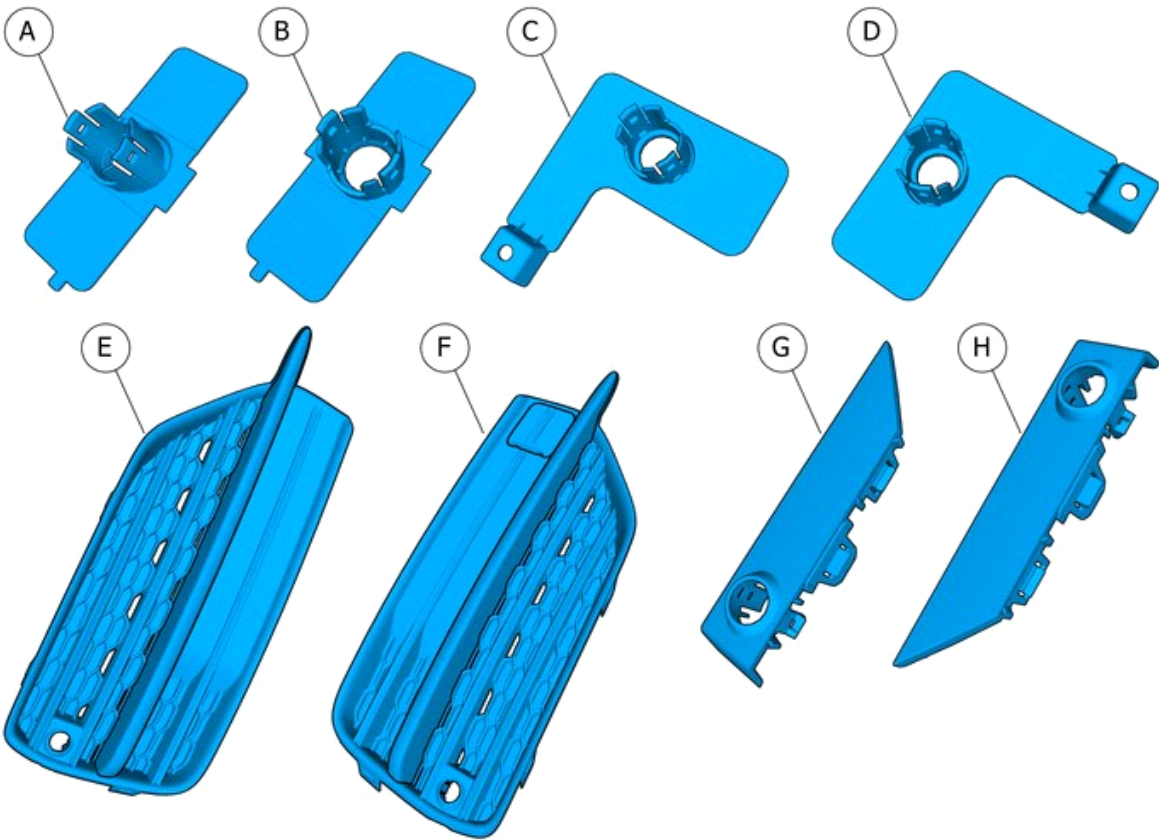
IMG-242205



IMG-345497



IMG-239660

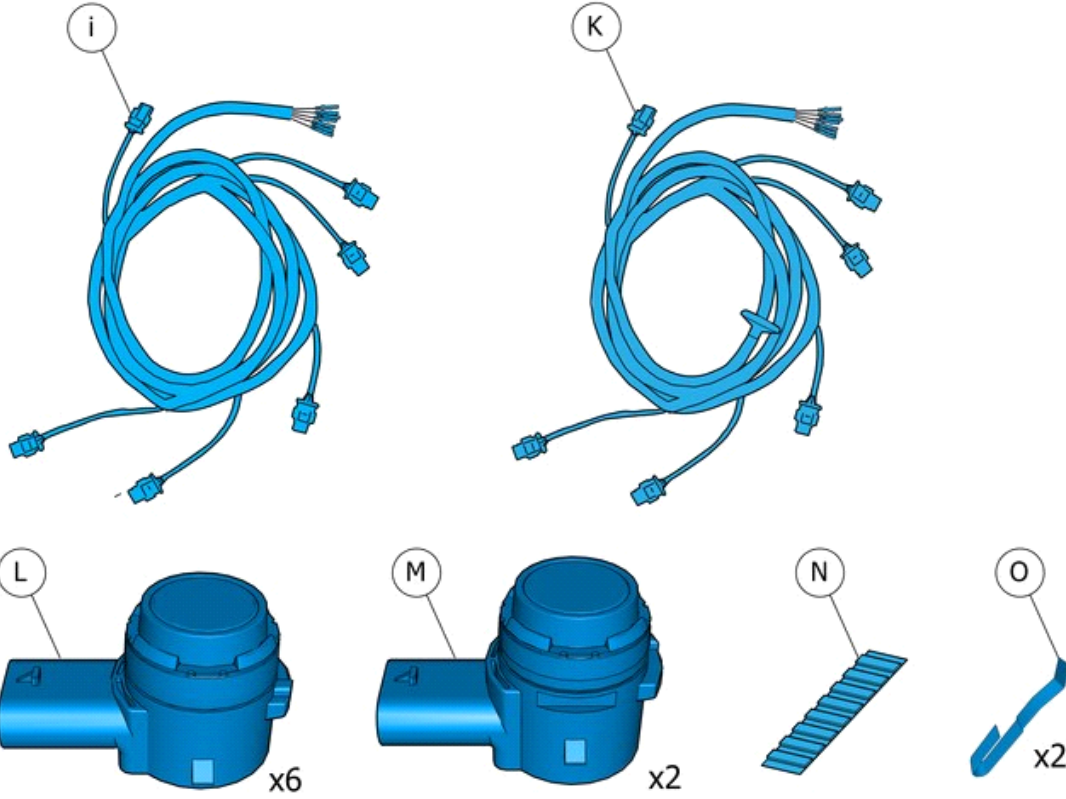


IMG-402315



Installation instructions, accessories

Volvo Car Corporation Gothenburg, Sweden

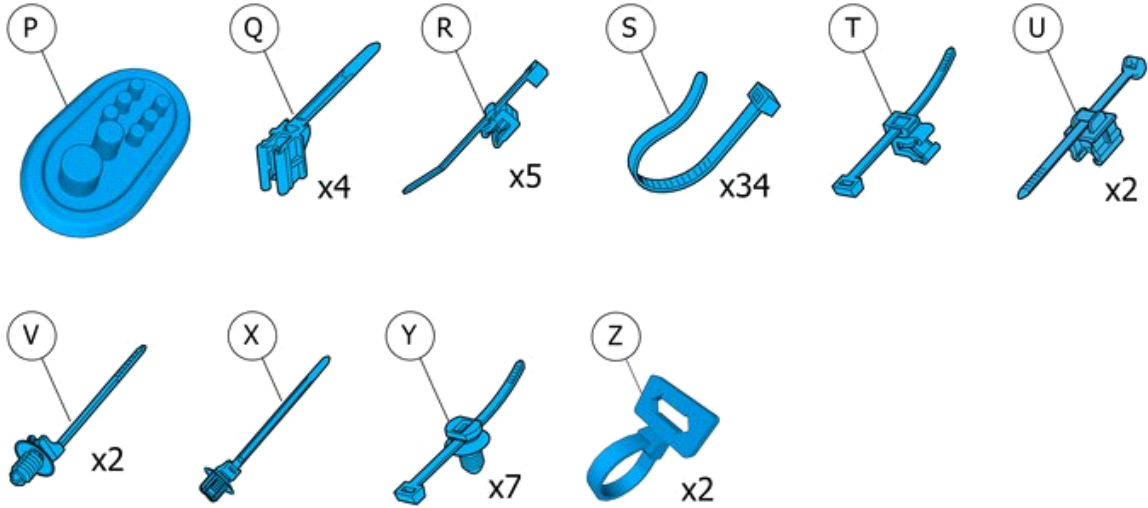


IMG-409736



Installation instructions, accessories

Volvo Car Corporation Gothenburg, Sweden



IMG-402317



Installation instructions, accessories

Volvo Car Corporation Gothenburg, Sweden

Information

1

Read through all of the instructions before starting installation.

Notifications and warning texts are for your safety and to minimise the risk of something breaking during installation.

Ensure that all tools stated in the instructions are available before starting installation.

Certain steps in the instructions are only presented in the form of images. Explanatory text is also given for more complicated steps.

In the event of any problems with the instructions or the accessory, contact your local Volvo dealer.

Conditions

2

When installing, the car must retain a temperature of 20 degrees C.

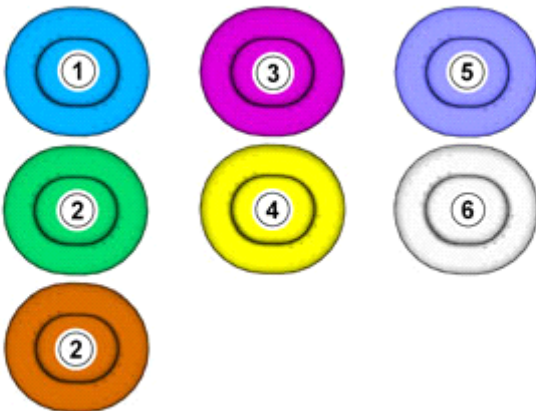
After installation, the car must not be washed for 48 hours

After installation, the car must not be driven for 2 hours

There may be parts in the accessories kit that are not needed for this installation.

Color symbols

3



IMG-363036

Note!

This colour chart displays (in colour print and electronic version) the importance of the different colours used in the images of the method steps.

1. Used for focused component, the component with which you will do something.
2. Used as extra colors when you need to show or differentiate additional parts.
3. Used for attachments that are to be removed/installed. May be screws, clips, connectors, etc.
4. Used when the component is not fully removed from the vehicle but only hung to the side.
5. Used for standard tools and special tools.

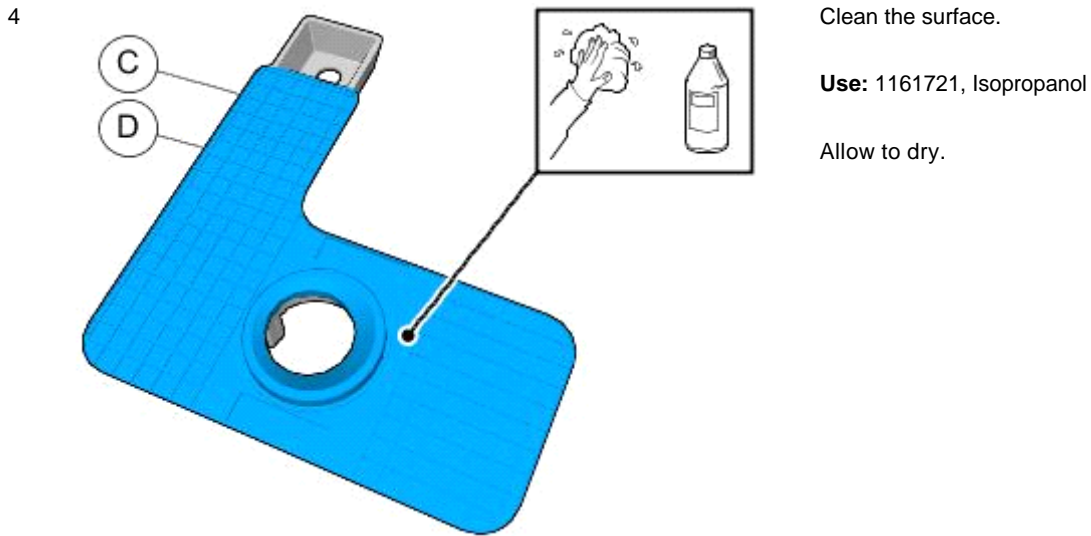


Installation instructions, accessories

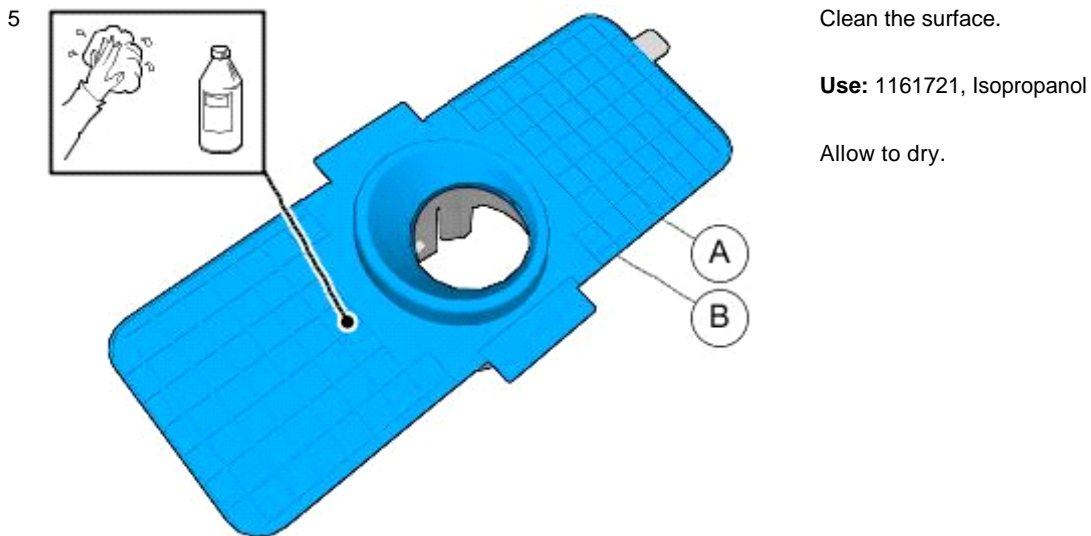
Volvo Car Corporation Gothenburg, Sweden

6. Used as background color for vehicle components.

Paintwork



IMG-384329



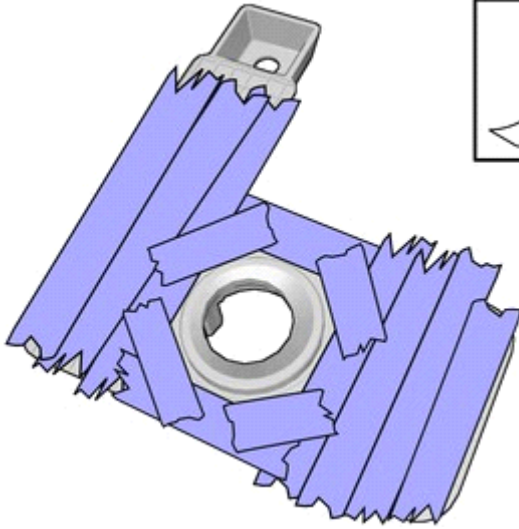
IMG-384549



Installation instructions, accessories

Volvo Car Corporation Gothenburg, Sweden

6

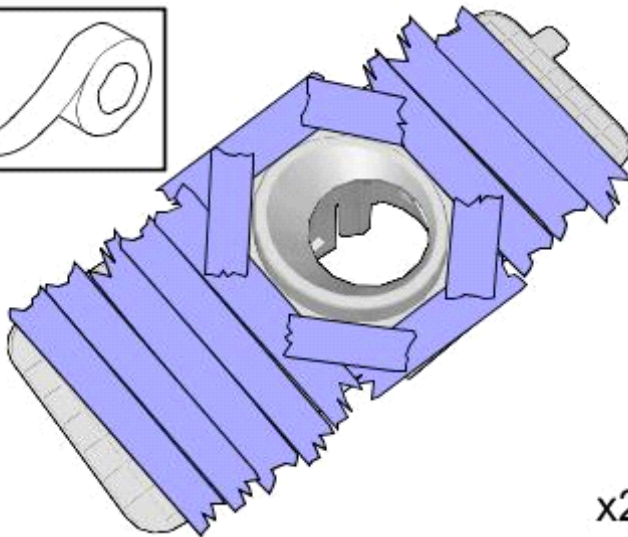


Use: , Masking tape

x2

IMG-384318

7

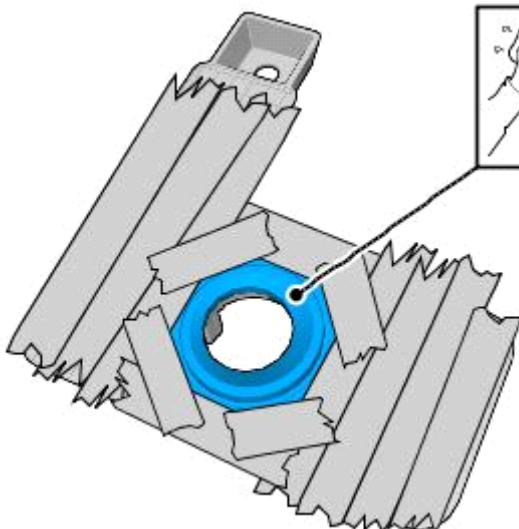


Use: , Masking tape

x2

IMG-384550

8



Clean the surface.

Use: 1161721, Isopropanol

Allow to dry.

x2

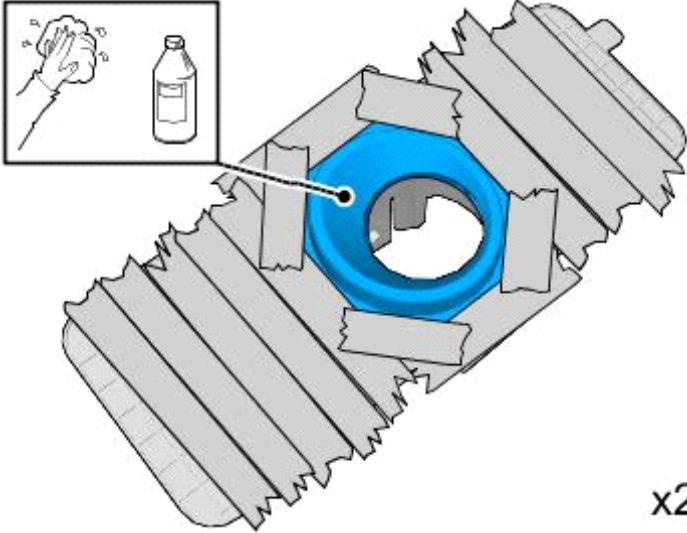
IMG-384321



Installation instructions, accessories

Volvo Car Corporation Gothenburg, Sweden

9



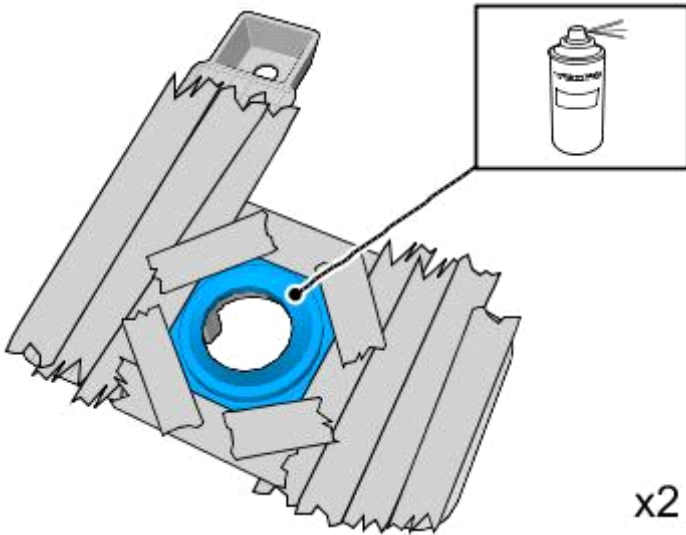
IMG-384575

Clean the surface.

Use: 1161721, Isopropanol

Allow to dry.

10

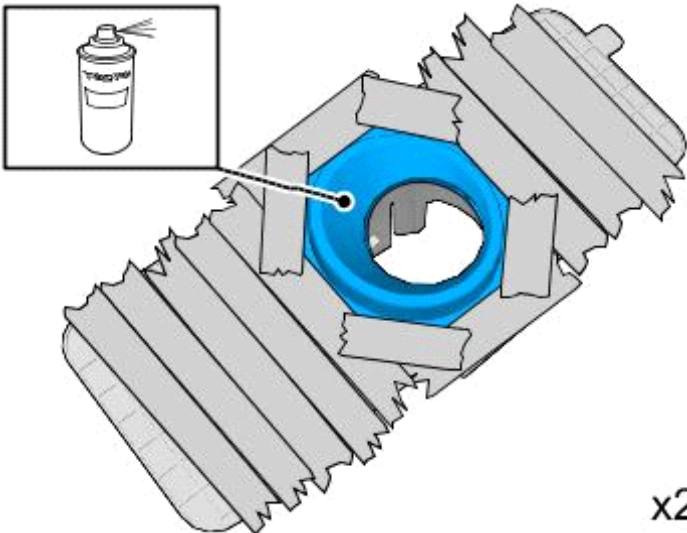


IMG-384322

Use: 31335448, Bonding primer, plastic

Also see the instructions on the container.

11



IMG-384576

Use: 31335448, Bonding primer, plastic

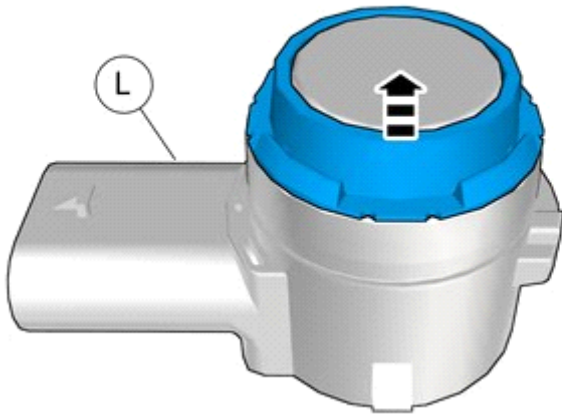
Also see the instructions on the container.



Installation instructions, accessories

Volvo Car Corporation Gothenburg, Sweden

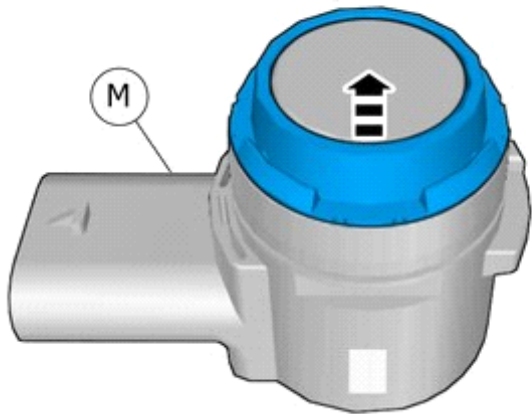
12



x2

IMG-384372

13



x2

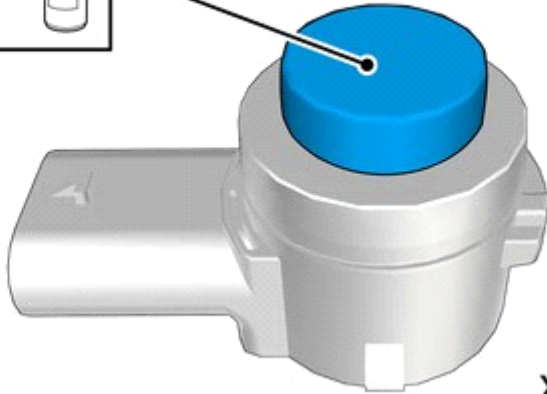
IMG-384853



Installation instructions, accessories

Volvo Car Corporation Gothenburg, Sweden

14



x4

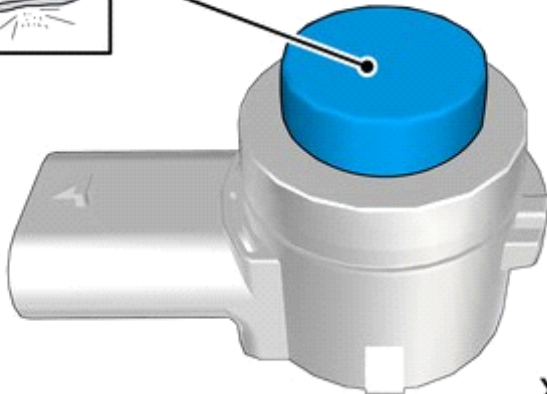
IMG-404275

Clean the surface.

Use: 1161721, Isopropanol

Allow to dry.

15



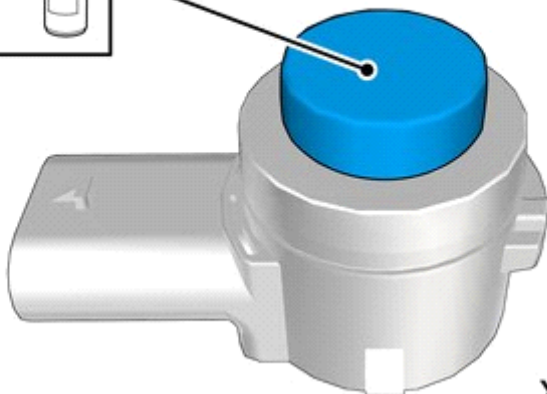
x4

IMG-404276

Matt the surface gently.

Use: , Sand paper P1000

16



x4

IMG-404277

Clean the surface.

Use: 1161721, Isopropanol

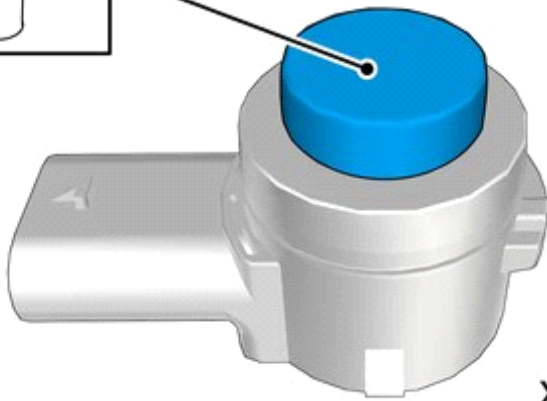
Allow to dry.



Installation instructions, accessories

Volvo Car Corporation Gothenburg, Sweden

17



x4

IMG-404278

Caution!

Protect connector surfaces against paint spray.

Note!

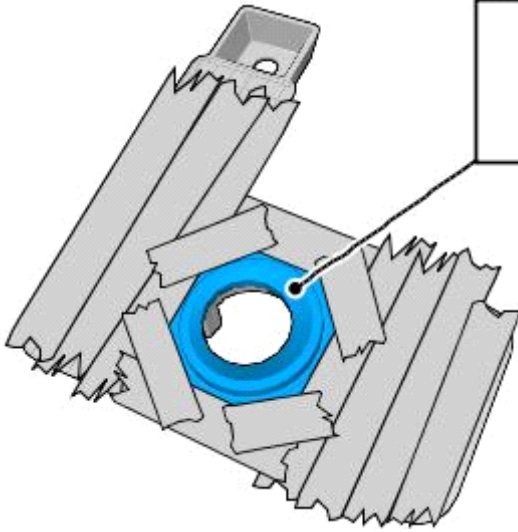
Paint the sensors the same colour code as the vehicle.

Use: , Volvo Original Touch-up paint

Use: 31335447, Varnish 2-component

Also see the instructions on the container.

18



x2

IMG-384322

Note!

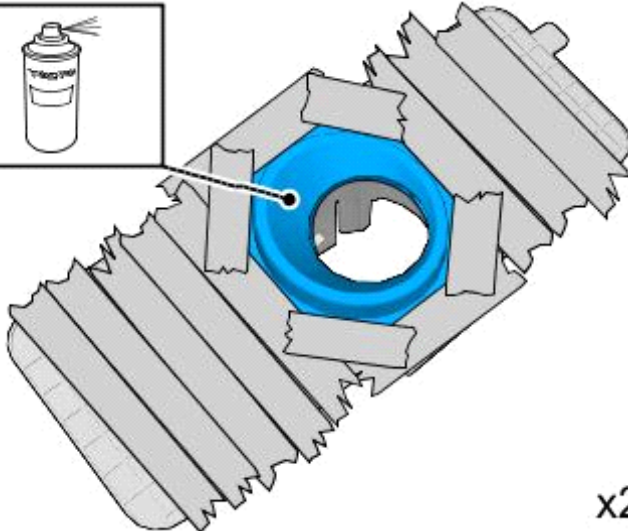
Use correct color following the vehicle's paint code.

Use: , Volvo Original Touch-up paint

Use: 31335447, Varnish 2-component

Also see the instructions on the container.

19



x2

IMG-384576

Note!

Use correct color following the vehicle's paint code.

Use: , Volvo Original Touch-up paint

Use: 31335447, Varnish 2-component

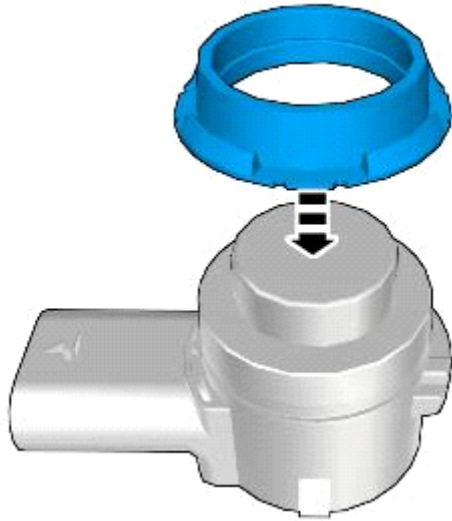
Also see the instructions on the container.



Installation instructions, accessories

Volvo Car Corporation Gothenburg, Sweden

20



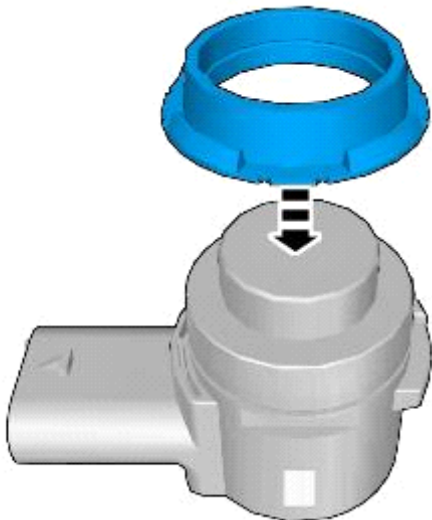
IMG-384373

x2

Caution!

First the paint must dry after painting.

21



IMG-384851

x2

Caution!

First the paint must dry after painting.

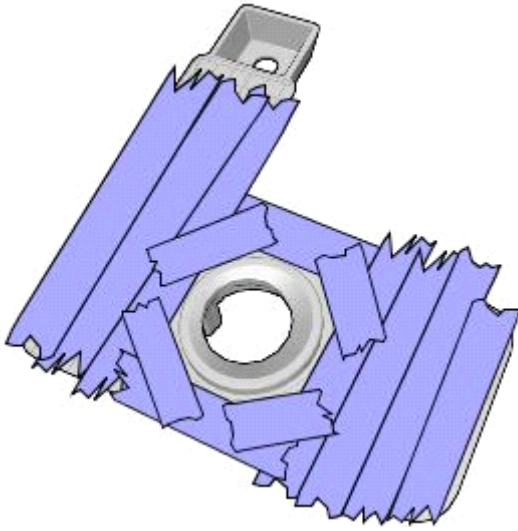


Installation instructions, accessories

Volvo Car Corporation Gothenburg, Sweden

22

Remove the tape.

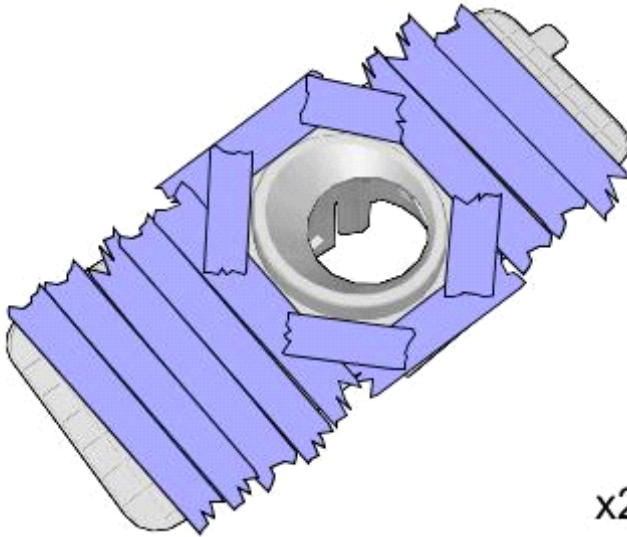


x2

IMG-384320

23

Remove the tape.



x2

IMG-384574

Removal

24

Note!

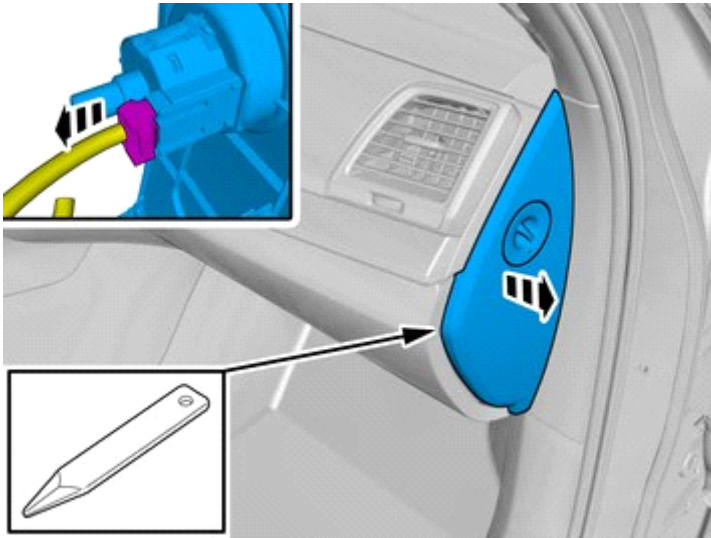
The removal steps may contain installation details.



Installation instructions, accessories

Volvo Car Corporation Gothenburg, Sweden

25

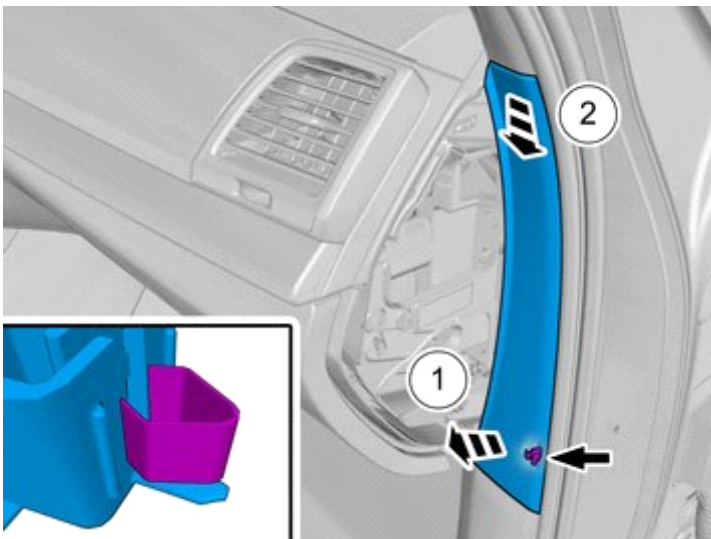


IMG-390109

Remove the panel.

Disconnect the connector, if applicable.

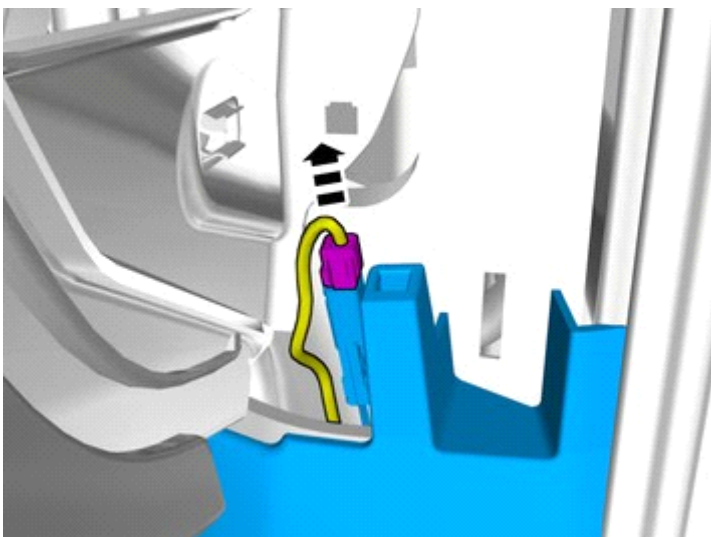
26



IMG-390116

Remove the panel.

27



IMG-390091

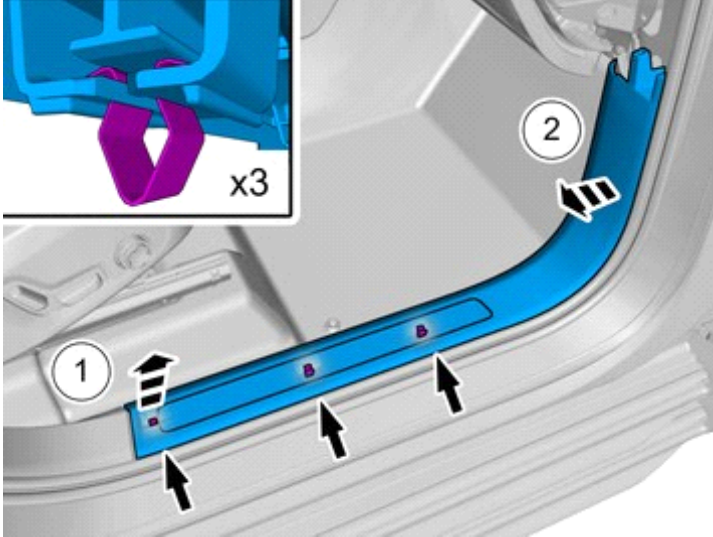
Disconnect the connector, if applicable.



Installation instructions, accessories

Volvo Car Corporation Gothenburg, Sweden

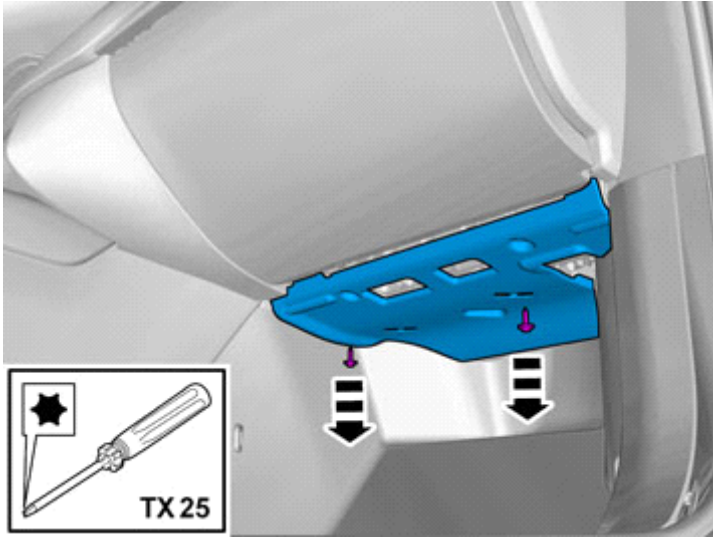
28



IMG-390106

Remove the panel.

29

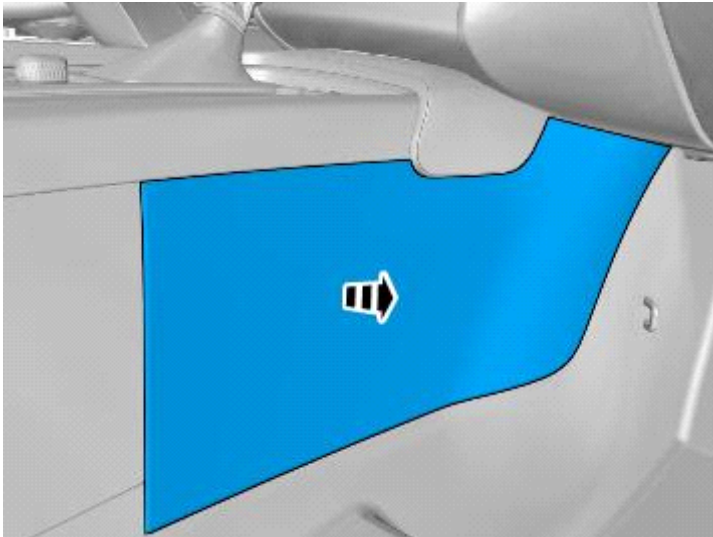


IMG-383237

Remove the screws.

Remove the panel.

30



IMG-383729

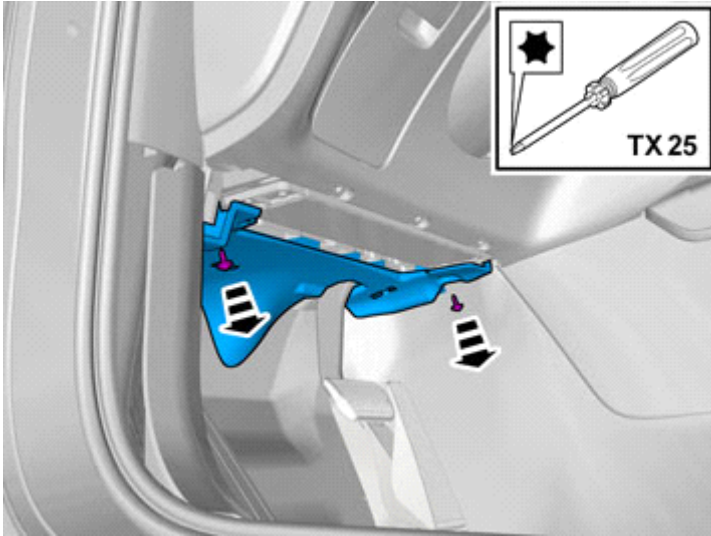
Remove the panel.



Installation instructions, accessories

Volvo Car Corporation Gothenburg, Sweden

31

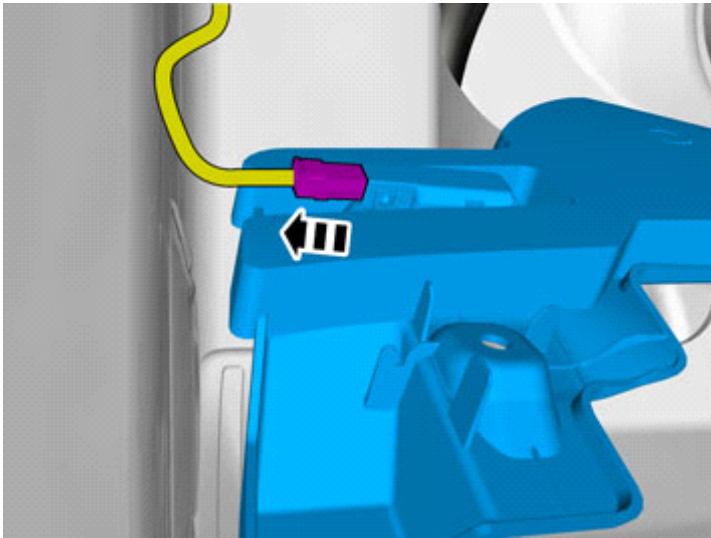


IMG-383314

Remove the screws.

Detach the panel.

32



IMG-383315

Disconnect the connector.

Remove the panel.



Installation instructions, accessories

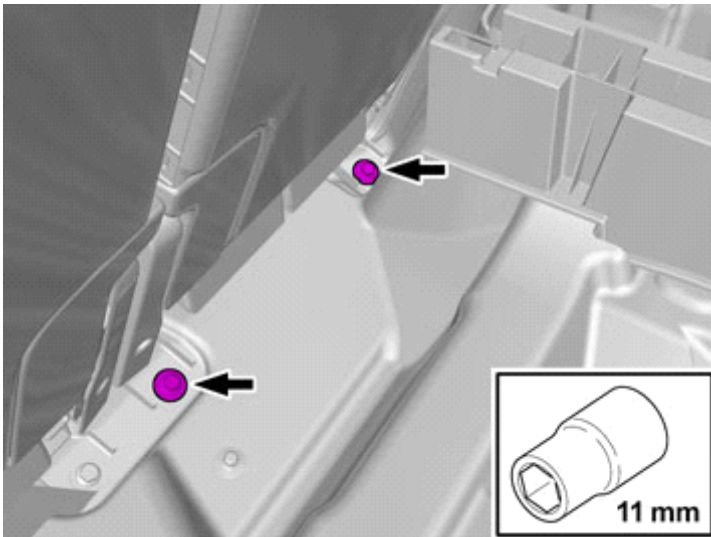
Volvo Car Corporation Gothenburg, Sweden

33



IMG-397295

34

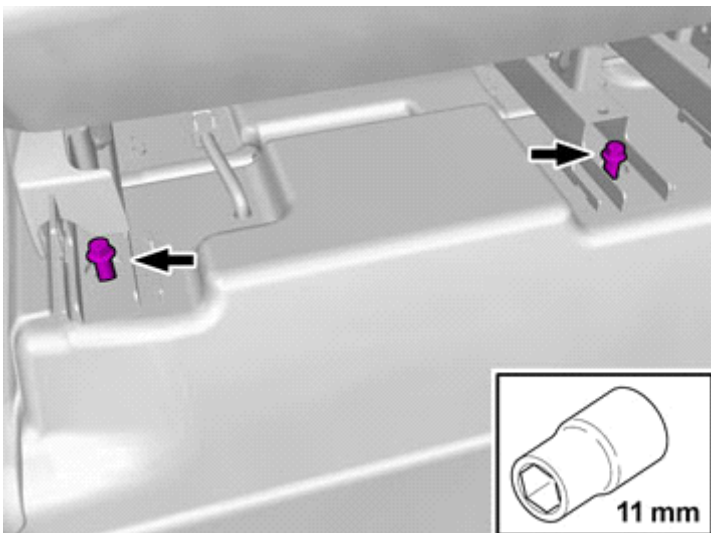


IMG-383235

Remove the screws.

Tightening torque: Seat, to Body , 40 Nm

35



IMG-383236

Remove the screws.

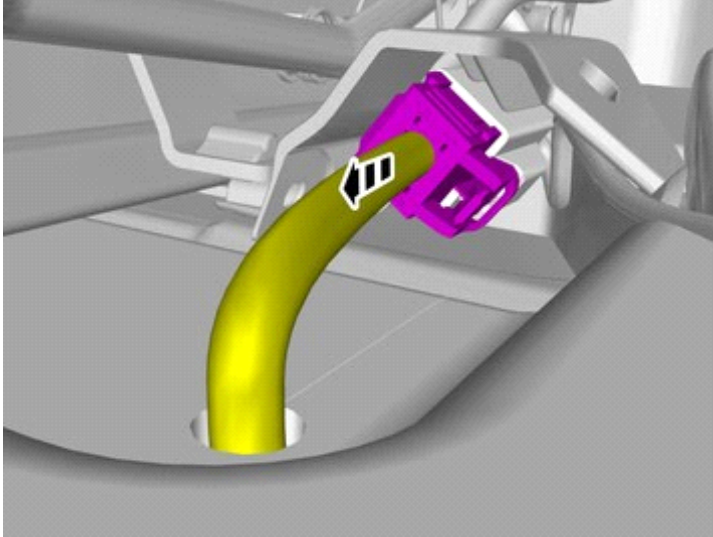
Tightening torque: Seat, to Body , 40 Nm



Installation instructions, accessories

Volvo Car Corporation Gothenburg, Sweden

36



IMG-404382

Disconnect the connector.

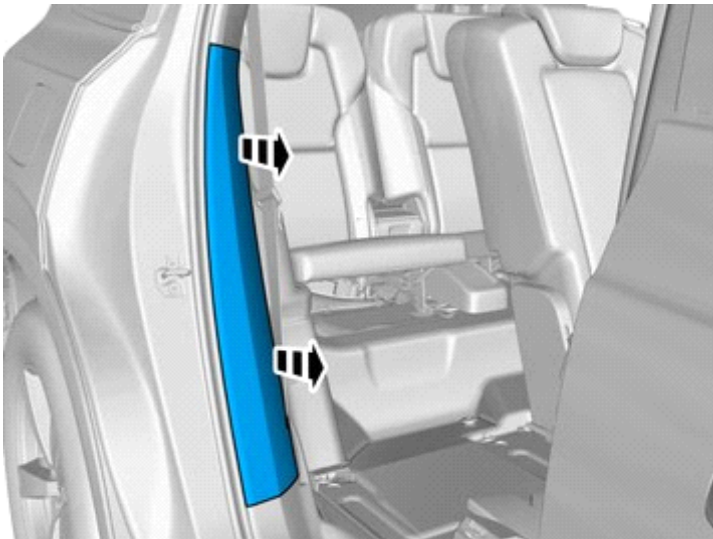
37



IMG-404383

Caution!
Be extra careful when removing or installing this component.

38



IMG-404384

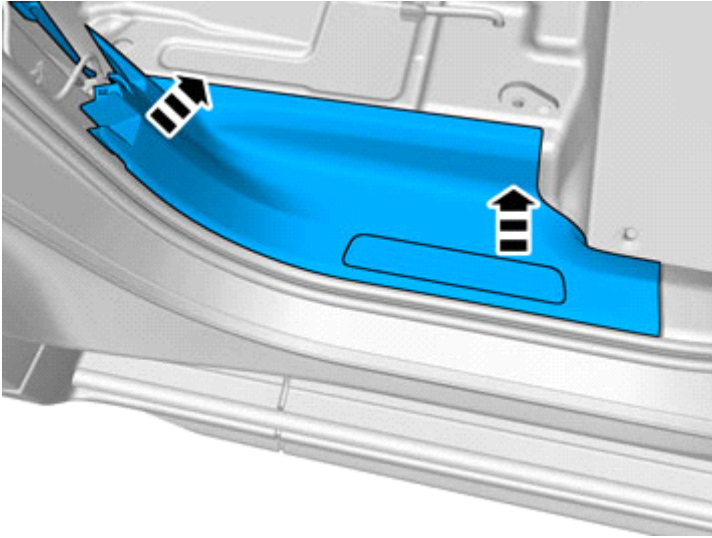
Remove the panel.



Installation instructions, accessories

Volvo Car Corporation Gothenburg, Sweden

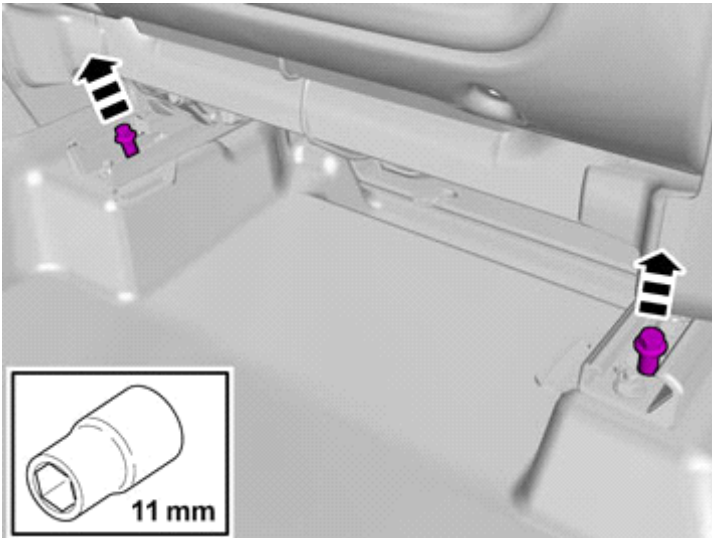
39



IMG-383234

Remove the panel.

40



IMG-383130

Remove the screws.

Tightening torque: Front seat to body , 40 Nm



Installation instructions, accessories

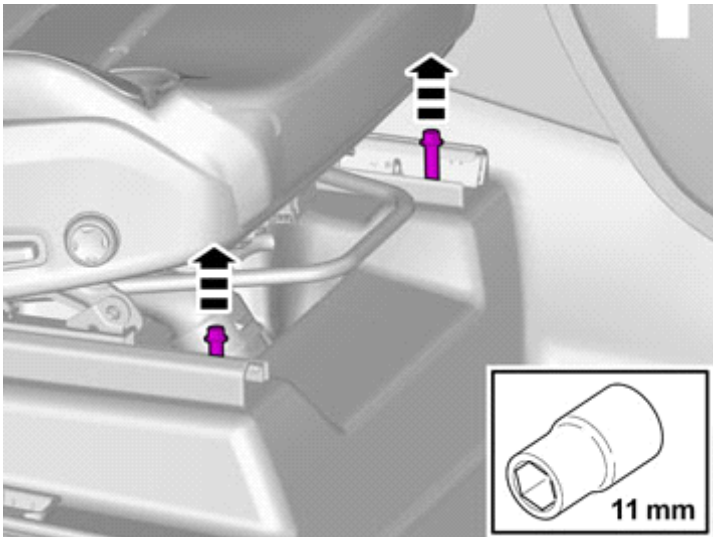
Volvo Car Corporation Gothenburg, Sweden

41



IMG-397249

42



IMG-383129

Remove the screws.

Tightening torque: Front seat to body , 40 Nm

43



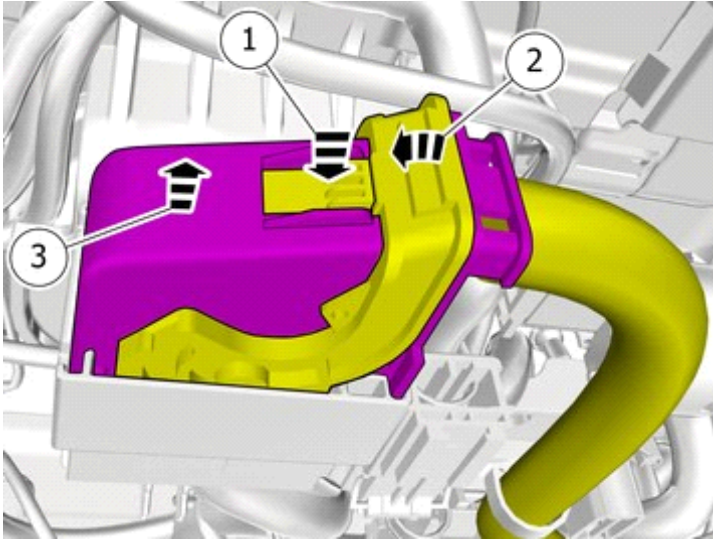
IMG-383134



Installation instructions, accessories

Volvo Car Corporation Gothenburg, Sweden

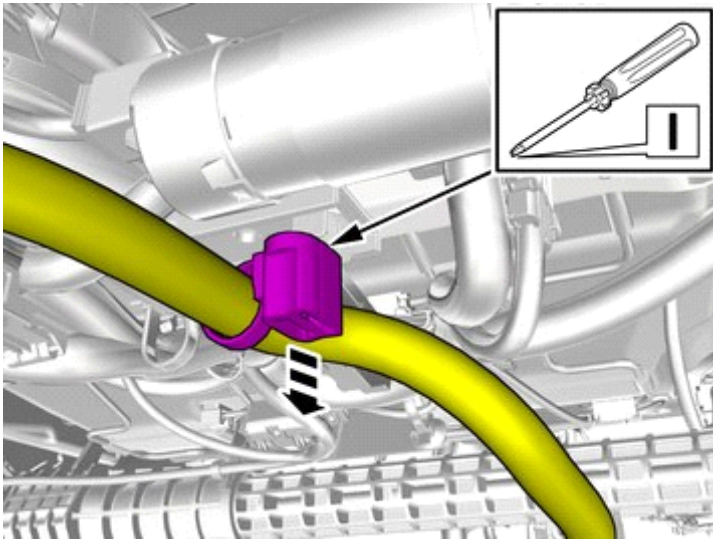
44



IMG-396605

Disconnect the connector.

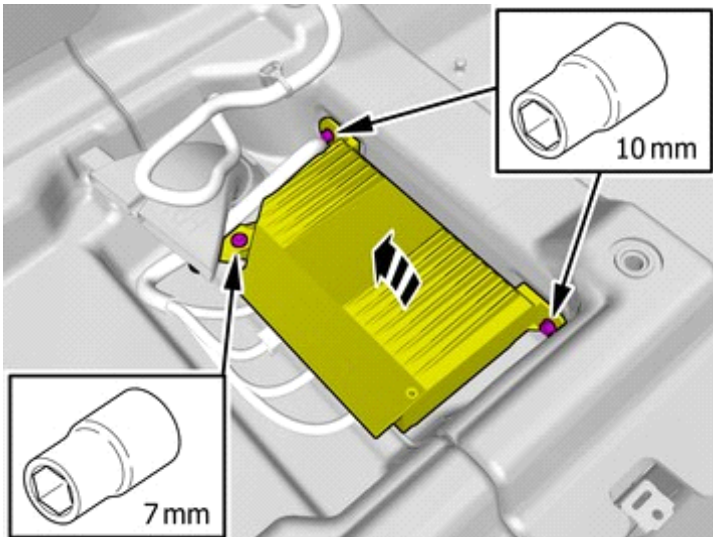
45



IMG-396606

Unhook the cable harness clips.

46



IMG-397624

Remove the screws.

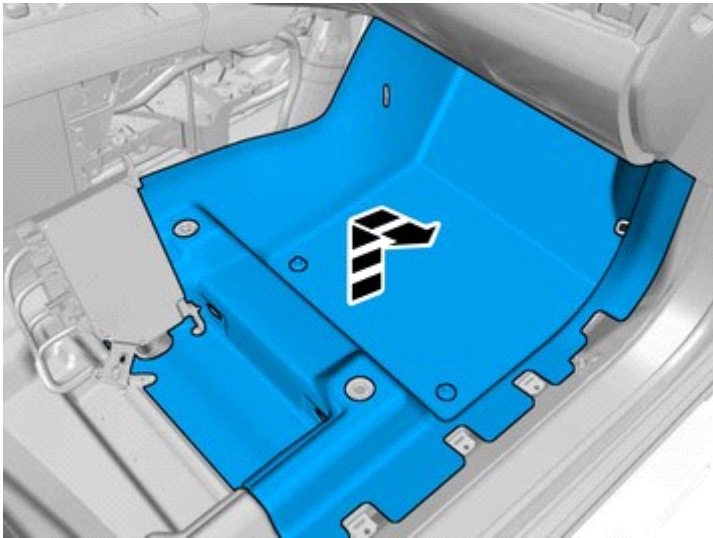
Fold marked part to one side.



Installation instructions, accessories

Volvo Car Corporation Gothenburg, Sweden

47



IMG-397637

Remove the marked part.

48



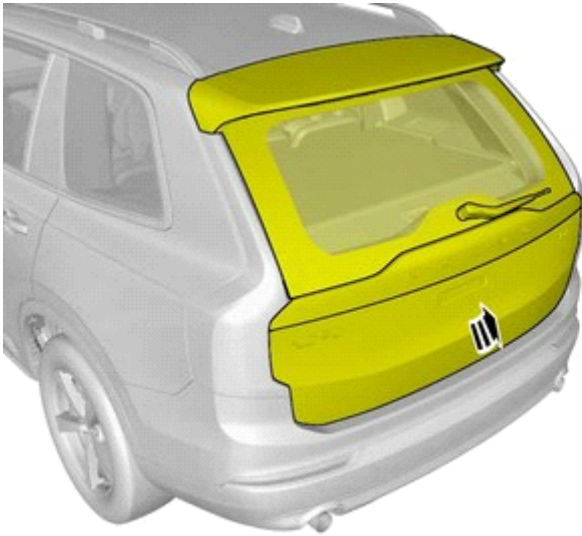
IMG-404390



Installation instructions, accessories

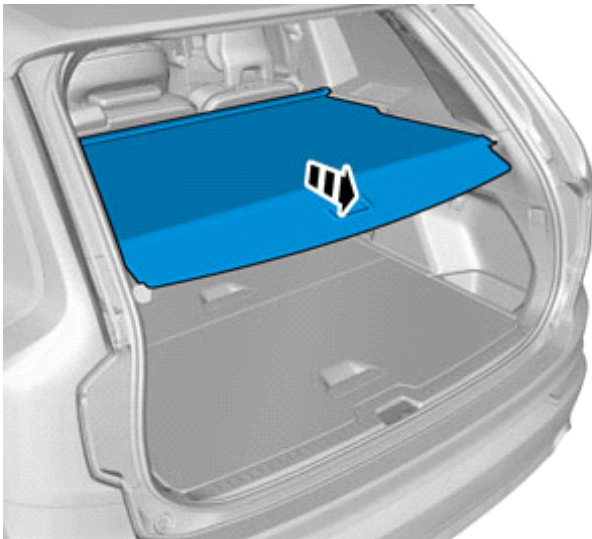
Volvo Car Corporation Gothenburg, Sweden

49



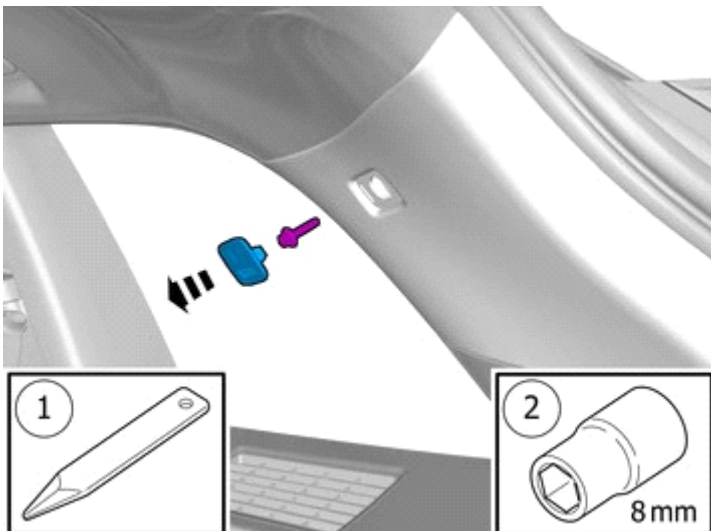
IMG-394779

50



IMG-383039

51



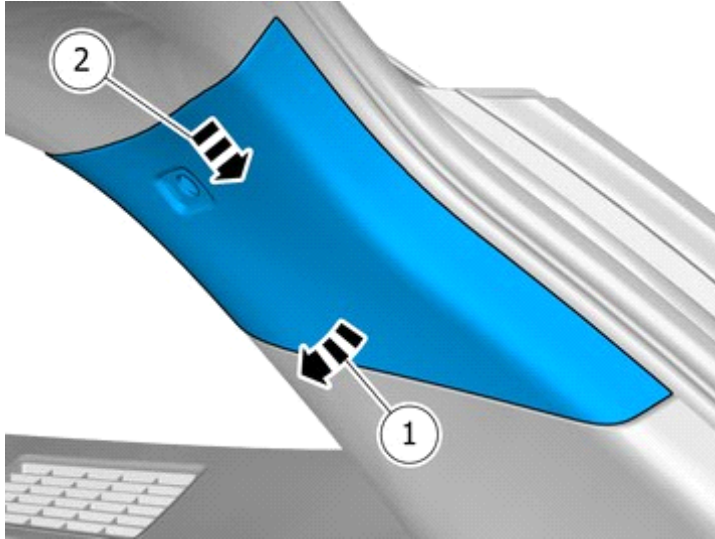
IMG-383043



Installation instructions, accessories

Volvo Car Corporation Gothenburg, Sweden

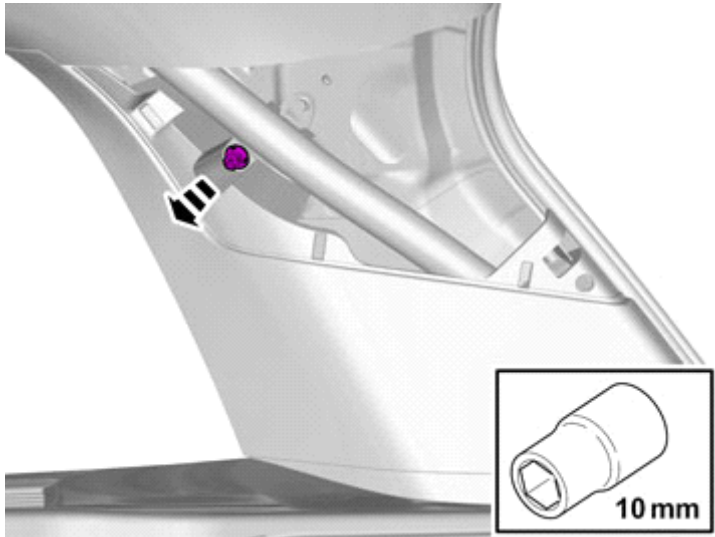
52



IMG-383044

Remove the panel.

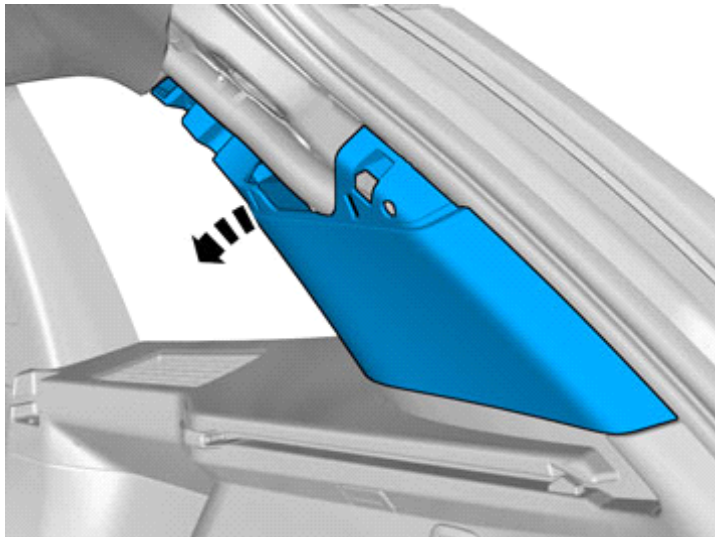
53



IMG-383045

Remove the nut.

54



IMG-383046

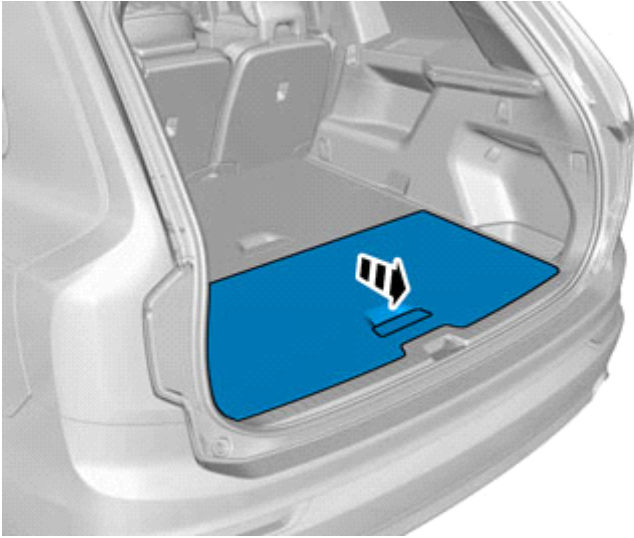
Remove the panel.



Installation instructions, accessories

Volvo Car Corporation Gothenburg, Sweden

55



IMG-383040

56



IMG-394727

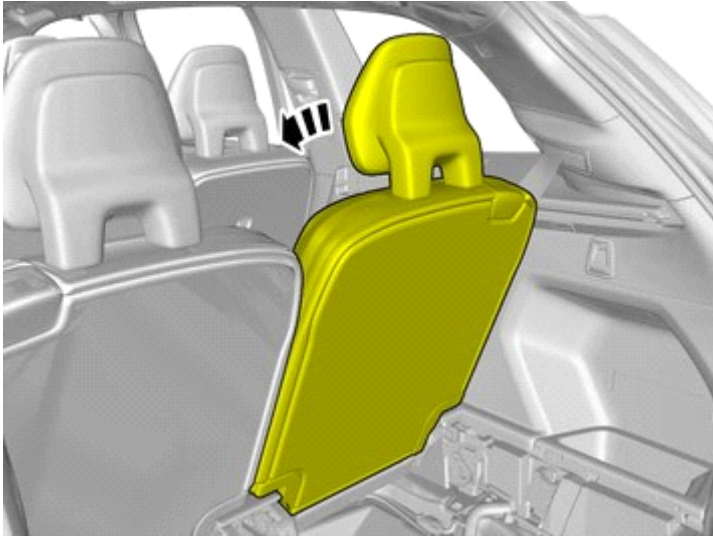
Vehicles with seven seats



Installation instructions, accessories

Volvo Car Corporation Gothenburg, Sweden

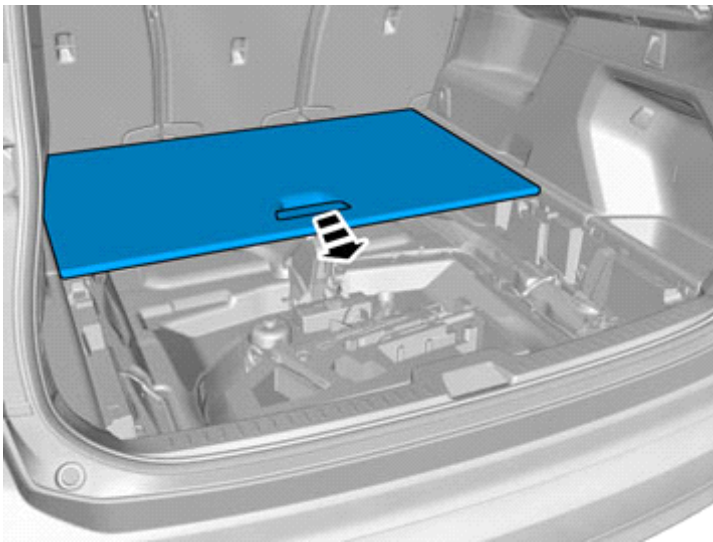
57



IMG-401374

Applies to all other vehicles

58



IMG-383042

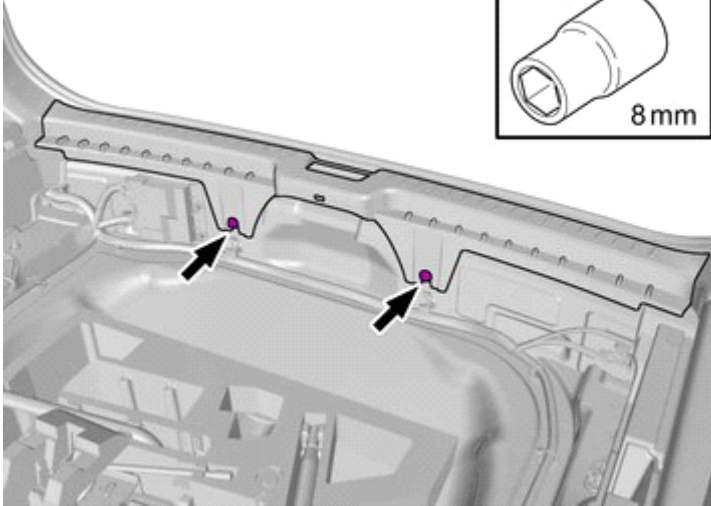
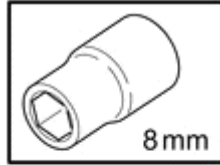
All vehicles



Installation instructions, accessories

Volvo Car Corporation Gothenburg, Sweden

59

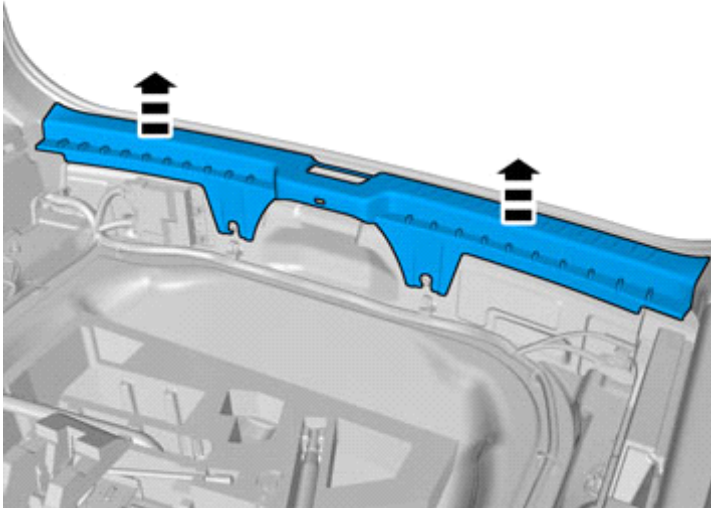


IMG-383047

Note!

Do not loosen the bolts more than 2 turns.

60

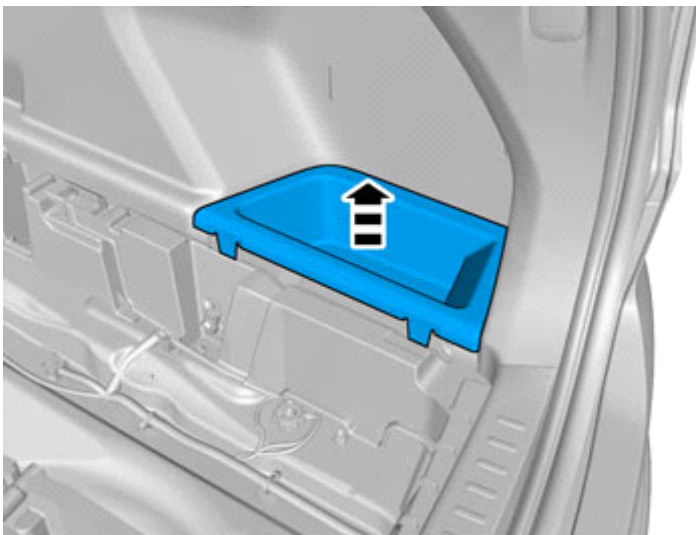


IMG-383048

Remove the panel.

Check that the fasteners are undamaged before installation. If not, they must be replaced with new ones.

61



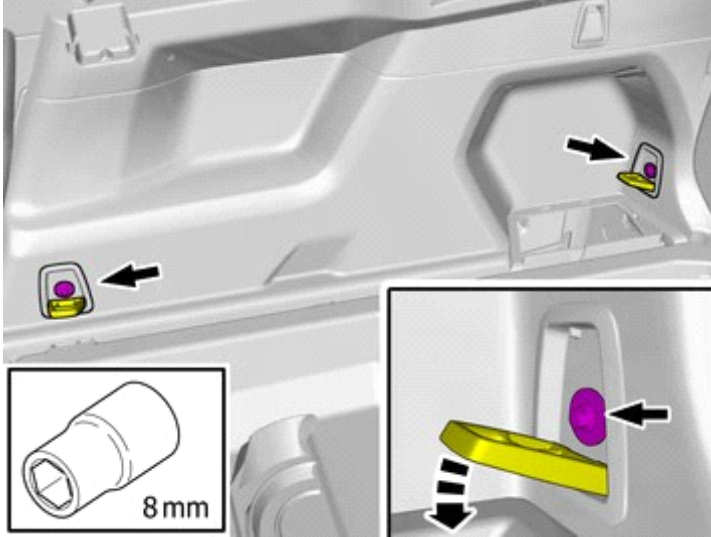
IMG-383066



Installation instructions, accessories

Volvo Car Corporation Gothenburg, Sweden

62

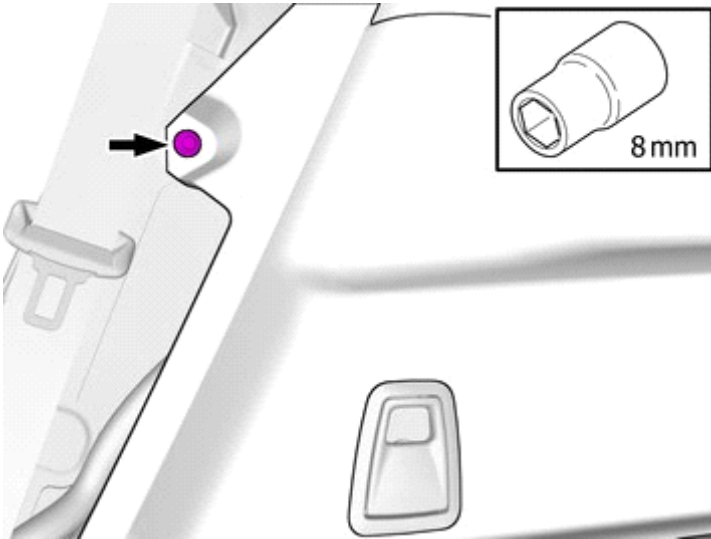


IMG-393945

Remove the screws.

Tightening torque: Cargo anchor, to body , 13 Nm

63



IMG-396625

Remove the screw.

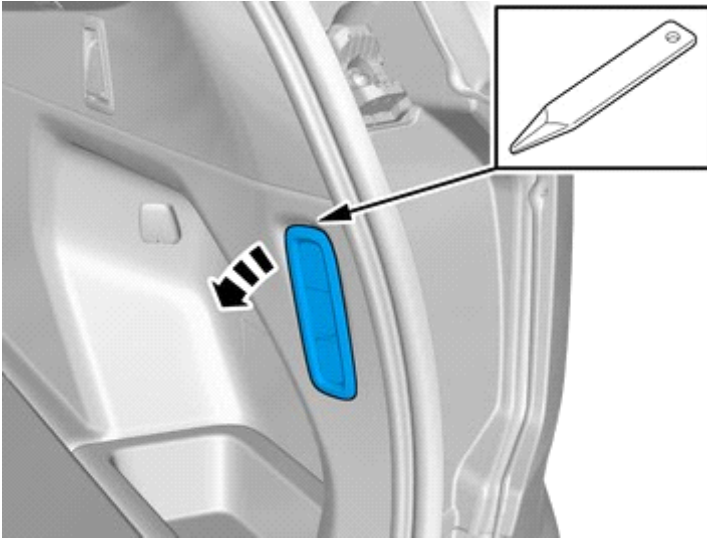
Vehicles with air suspension



Installation instructions, accessories

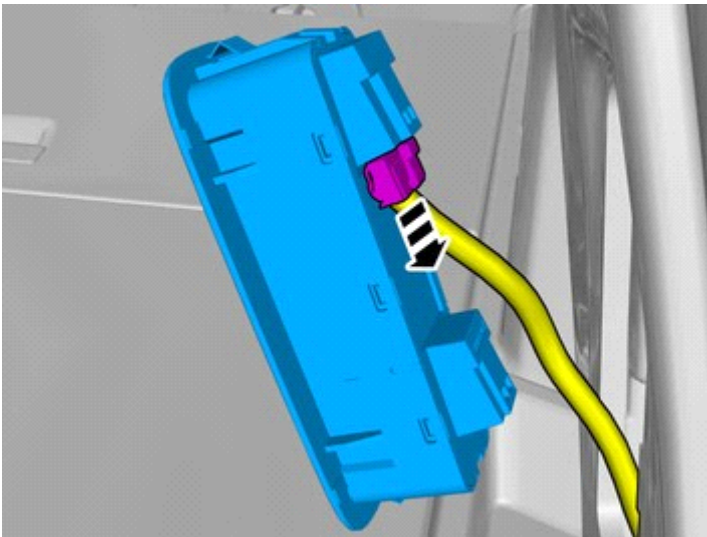
Volvo Car Corporation Gothenburg, Sweden

64



IMG-398660

65



IMG-398661

Disconnect the connector.

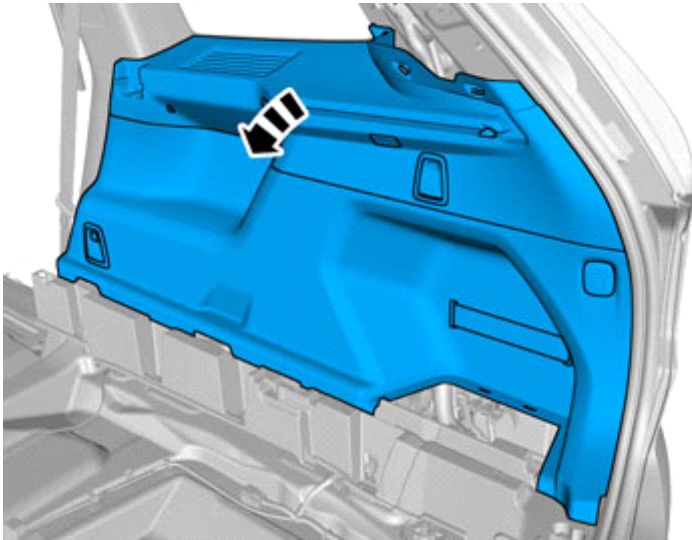
All vehicles



Installation instructions, accessories

Volvo Car Corporation Gothenburg, Sweden

66

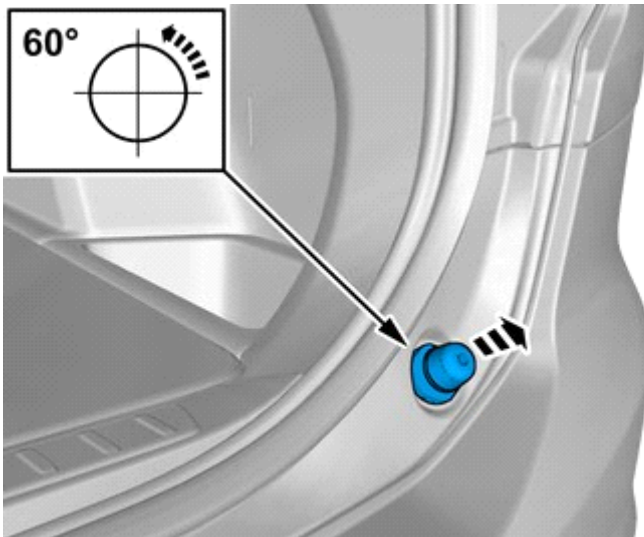


IMG-383049

Remove the panel.

Disconnect any connector(s).

67



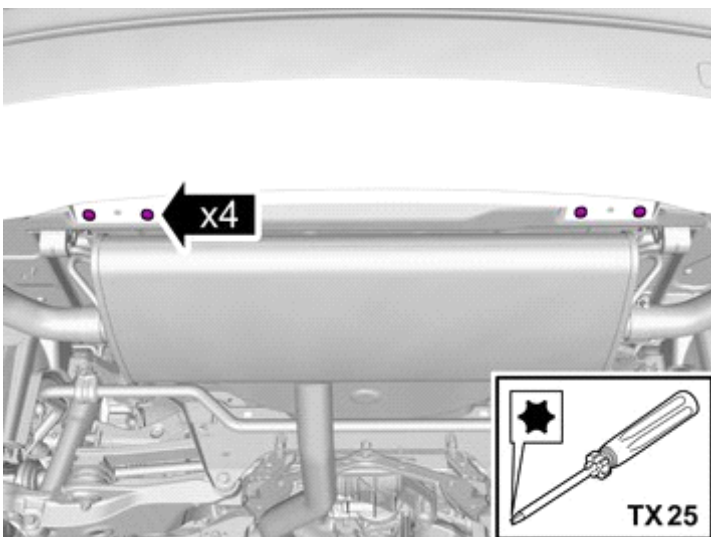
IMG-398662

Remove the marked part.

Repeat on the other side.

Make sure that the components are not mixed up at the installation.

68



IMG-398676

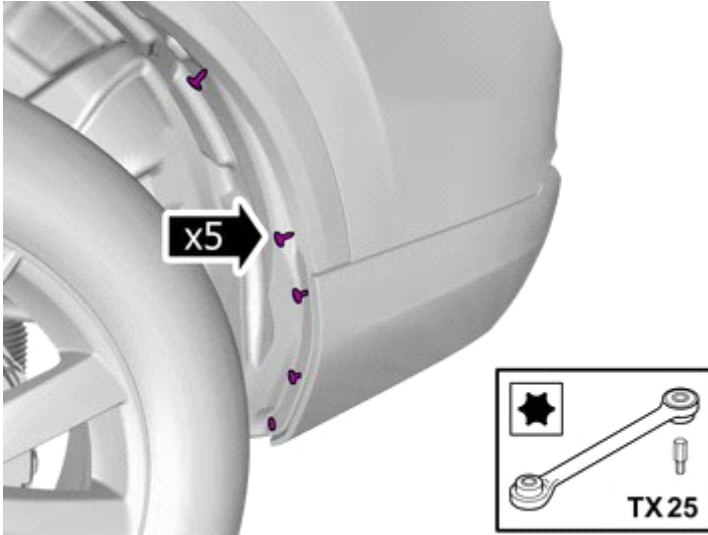
Remove the screws.



Installation instructions, accessories

Volvo Car Corporation Gothenburg, Sweden

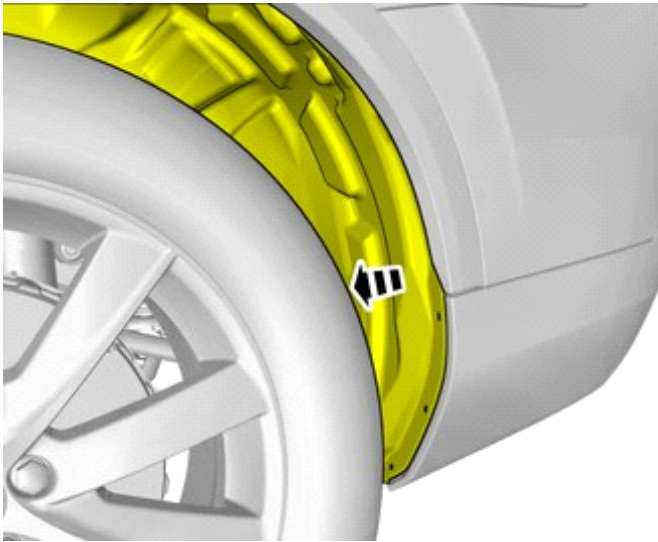
69



IMG-398664

Remove the screws.

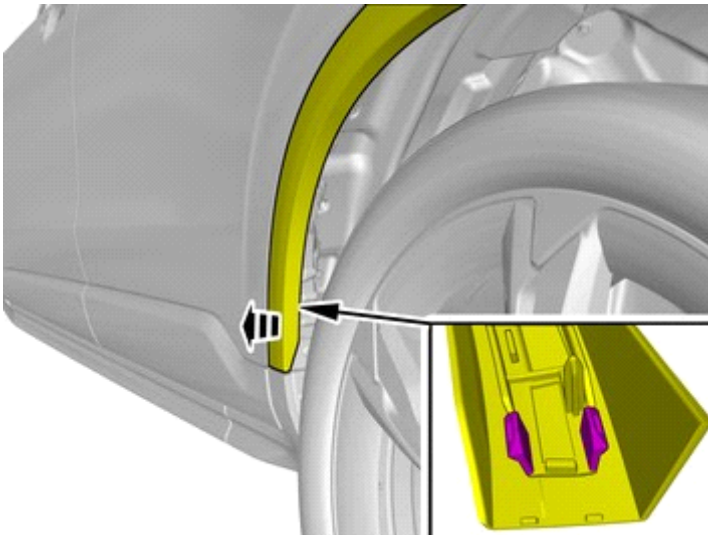
70



IMG-398850

Fold the wing liner to one side.

71



IMG-402988

Release the catches.

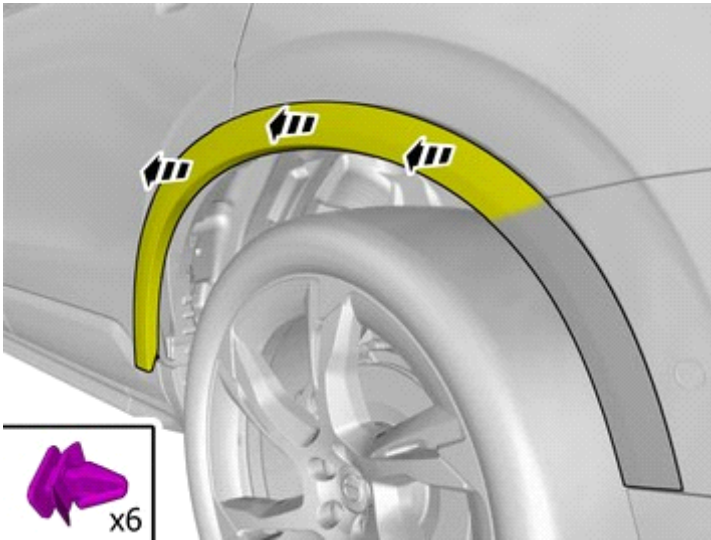
Remove the part carefully



Installation instructions, accessories

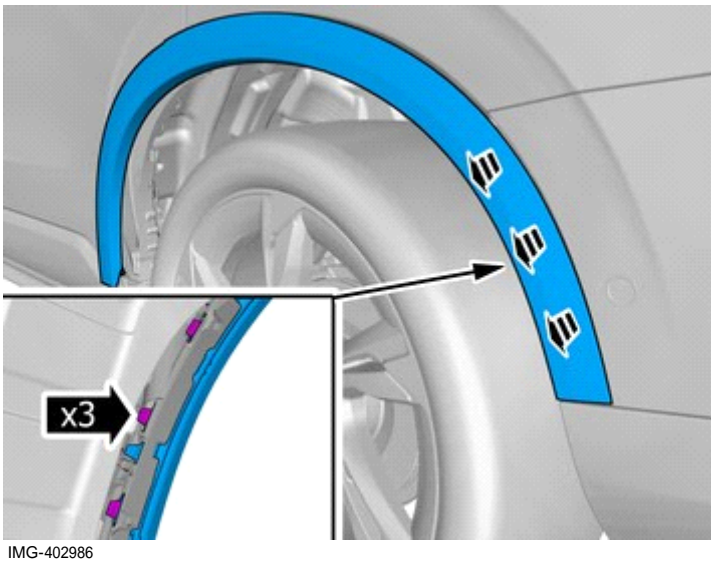
Volvo Car Corporation Gothenburg, Sweden

72



Remove the part carefully

73



Release the catches.

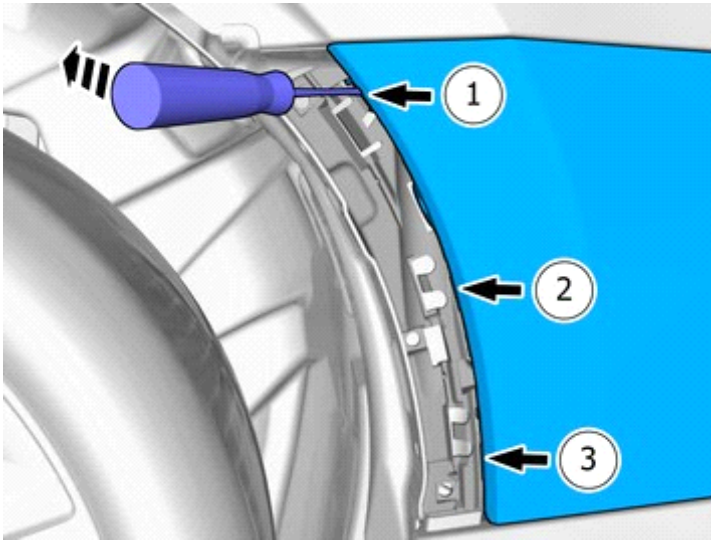
Remove the part carefully



Installation instructions, accessories

Volvo Car Corporation Gothenburg, Sweden

74

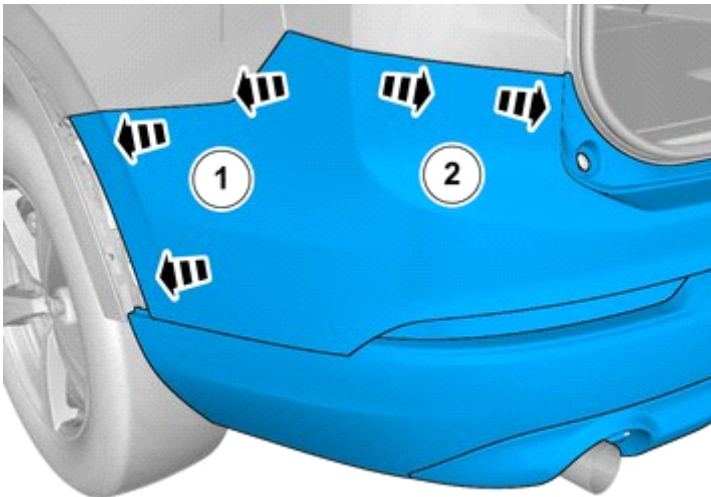


IMG-401258

Release the catches.

Remove the part carefully

75



IMG-398711

76

Repeat the steps when removing on opposite side.

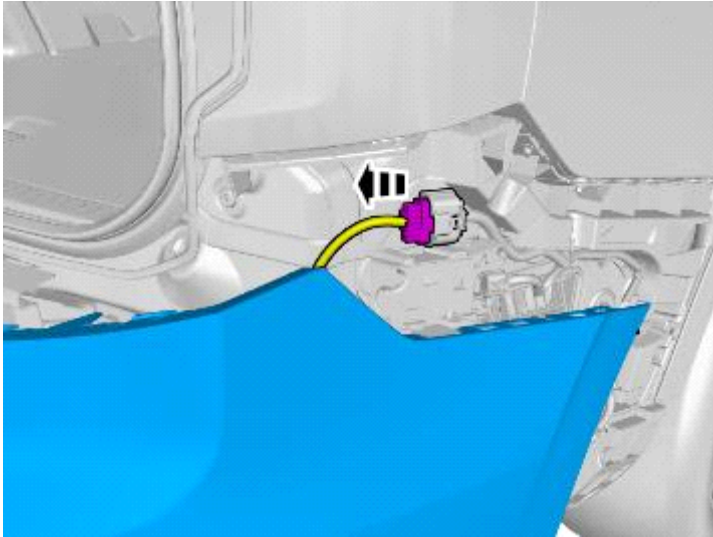
IMG-40000



Installation instructions, accessories

Volvo Car Corporation Gothenburg, Sweden

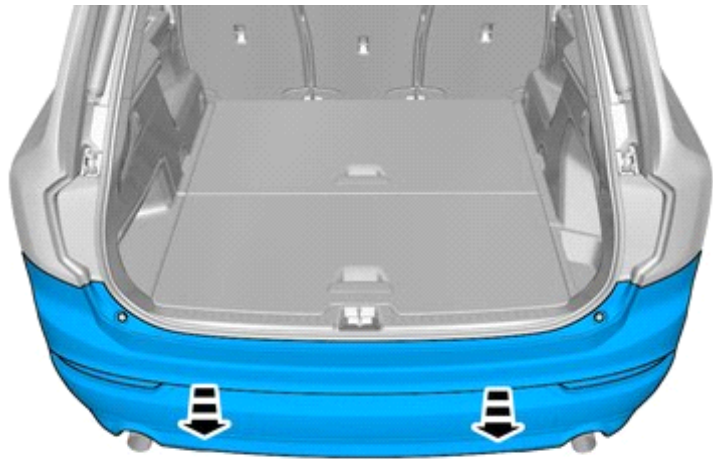
77



IMG-384129

Disconnect the connector.

78



IMG-398685

Caution!

Place the Bumper Cover on a suitable surface.

Request the aid of a colleague for this procedure.

Accessory installation



Installation instructions, accessories

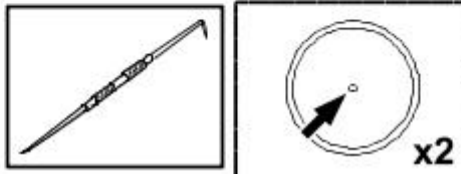
Volvo Car Corporation Gothenburg, Sweden

79

Locate the markings for the positions.

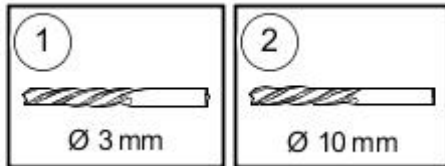
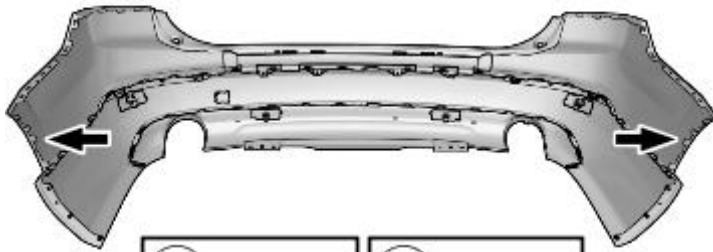
Measure and mark out the centre.

Use: Scribe



IMG-384153

80

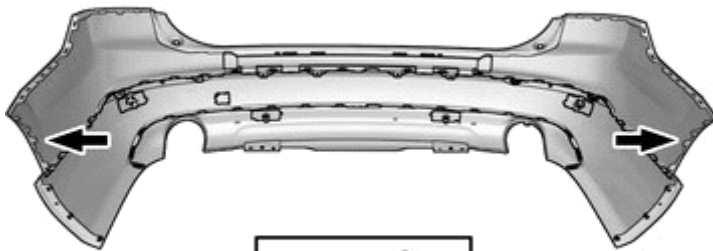


IMG-384154

81

Caution!
Sharp end of tool must be on outside of cover.

Use special tool: T9997547, Hole punch



IMG-384173



Installation instructions, accessories

Volvo Car Corporation Gothenburg, Sweden

82



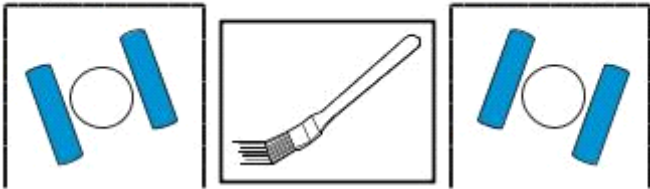
IMG-384293

Clean the surfaces.

Use: 1161721, Isopropanol

Allow to dry.

83



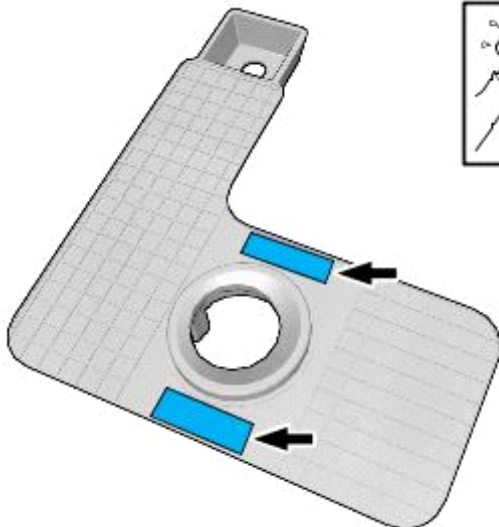
IMG-384289

Apply a thin and even layer.

Use: 1161765, Primer

Allow to dry for at least 2 minutes, but no more than 60minutes.

84



Clean the surfaces.

Use: 1161721, Isopropanol

Allow to dry.

IMG-384483

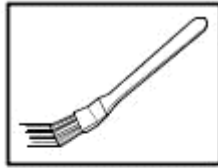
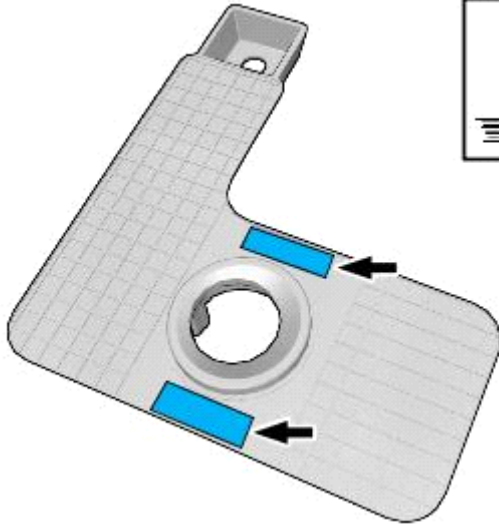
x2



Installation instructions, accessories

Volvo Car Corporation Gothenburg, Sweden

85



Apply a thin and even layer.

Use: 1161765, Primer

Allow to dry for at least 2 minutes, but no more than 60minutes.

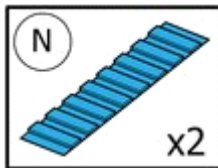
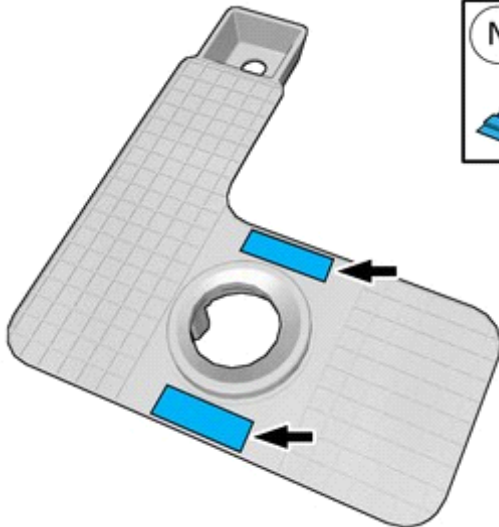
x2

IMG-384484

86

Note!
Prepare and install one holder at a time.

87



Note!
Ensure that the tape is fixed to the surface.

x2

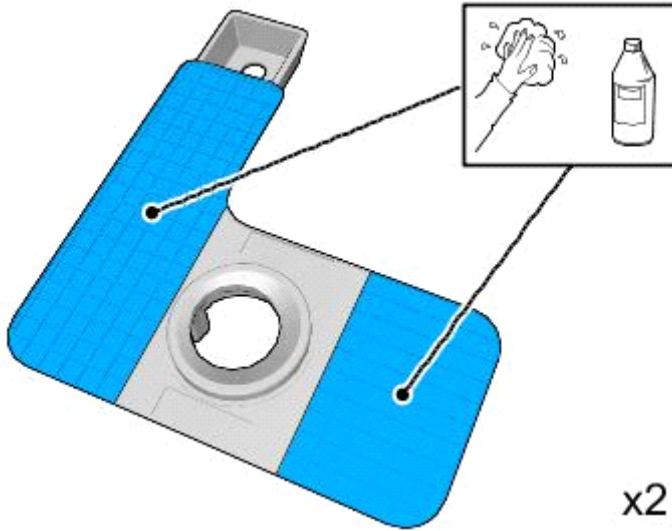
IMG-384485



Installation instructions, accessories

Volvo Car Corporation Gothenburg, Sweden

88



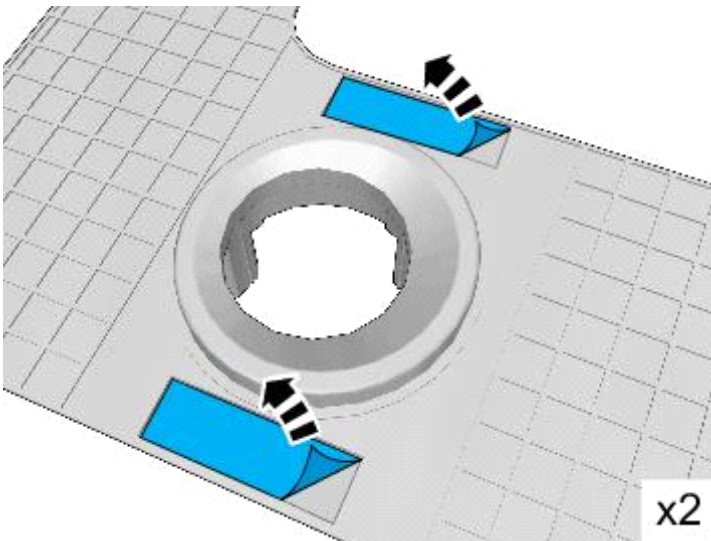
IMG-384507

Clean the surface.

Use: 1161721, Isopropanol

Allow to dry.

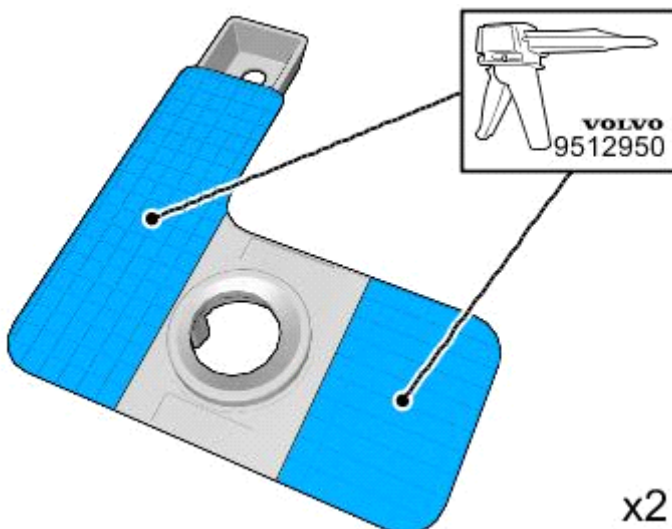
89



IMG-384488

Remove the protective film.

90



IMG-384493

Warning!

Wear protective gloves.

Warning!

Make sure to provide adequate ventilation.

Use special tool: T9512950, Glue gun (kit)

Use: 9511027, Glue

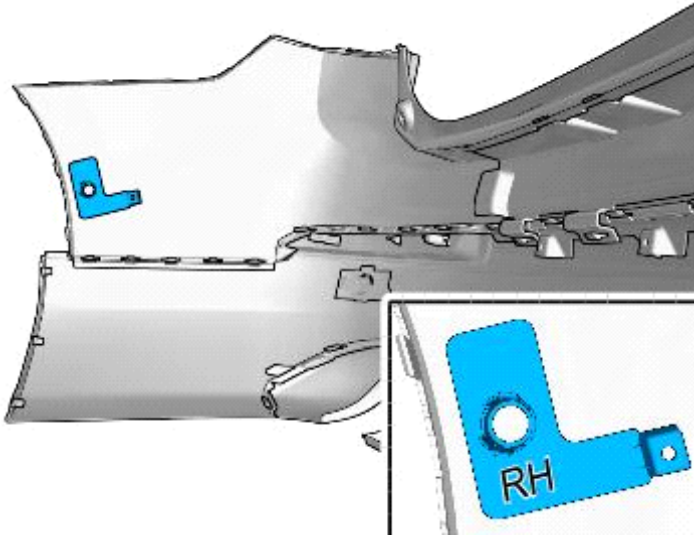
Use: 1161730, Mixing pipe



Installation instructions, accessories

Volvo Car Corporation Gothenburg, Sweden

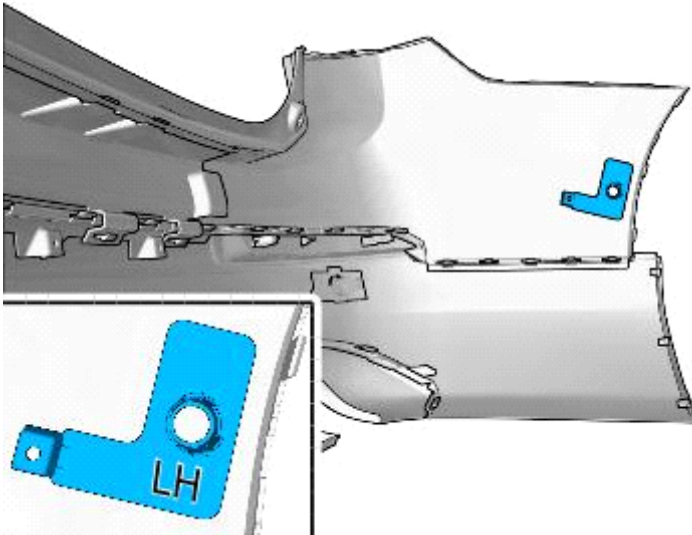
91



IMG-384641

Note!
Note the position.

92

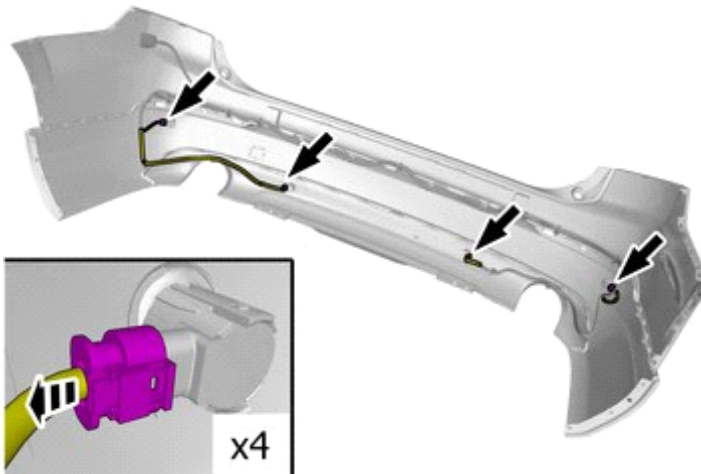


IMG-384652

Note!
Note the position.

93

Disconnect the connectors.



IMG-409427



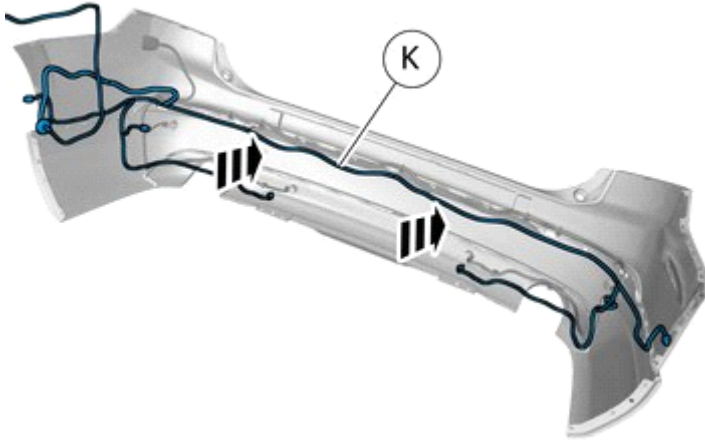
Installation instructions, accessories

Volvo Car Corporation Gothenburg, Sweden

94

Install component that comes with the accessory kit.

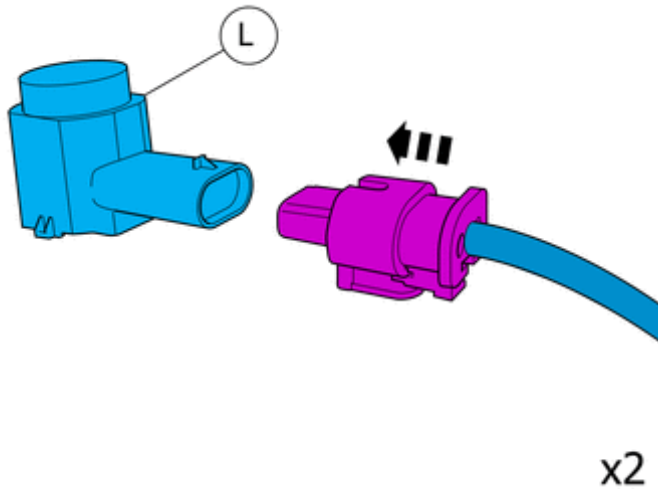
Put the wiring in the Bumper cover without installing the wiring.



IMG-409435

95

Connect the two painted sensors to the external connections.



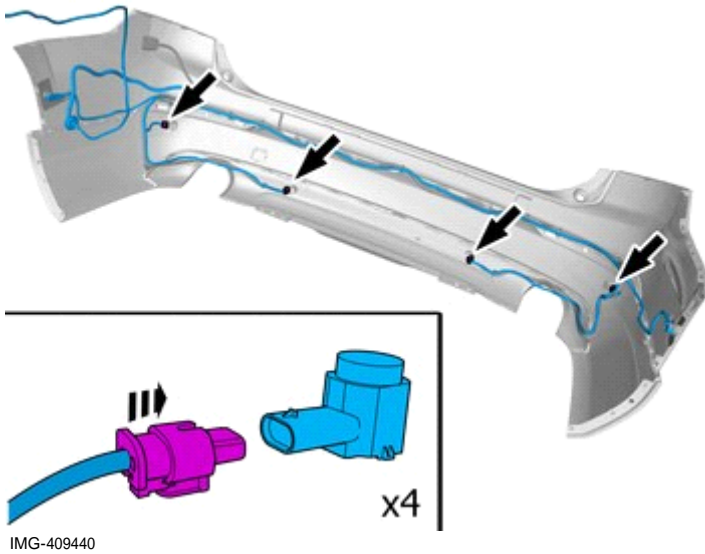
IMG-386853



Installation instructions, accessories

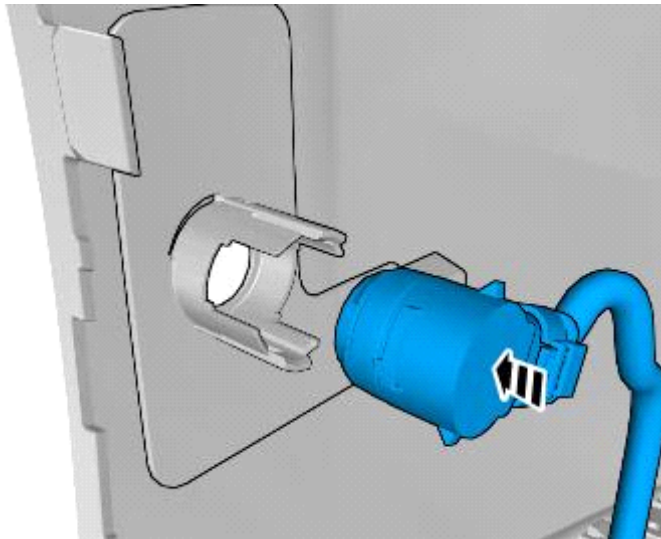
Volvo Car Corporation Gothenburg, Sweden

96



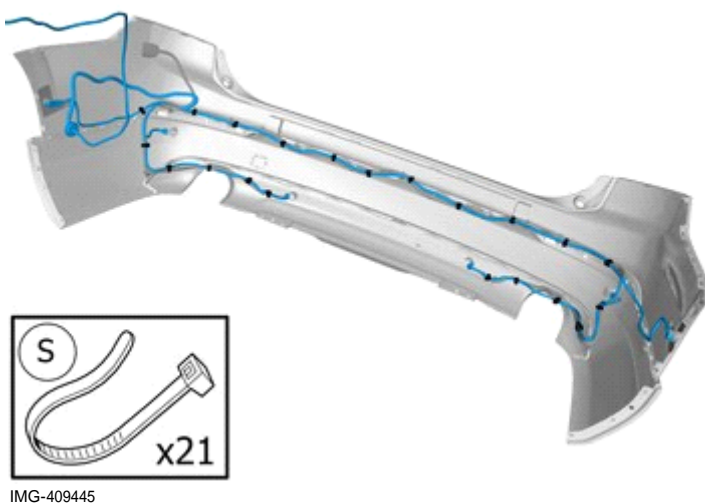
Connect the cable harness.

97



Repeat on the other side.

98



Route the cable harness to the existing cable harness.

Install the wiring harness.

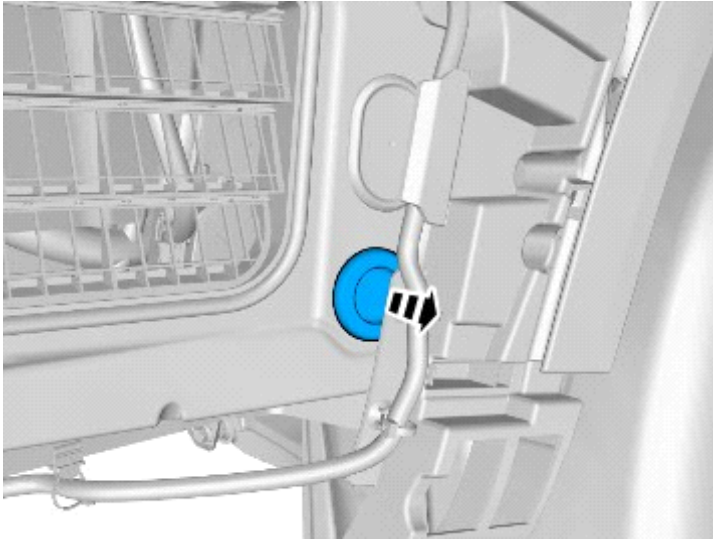
Use a cable tie



Installation instructions, accessories

Volvo Car Corporation Gothenburg, Sweden

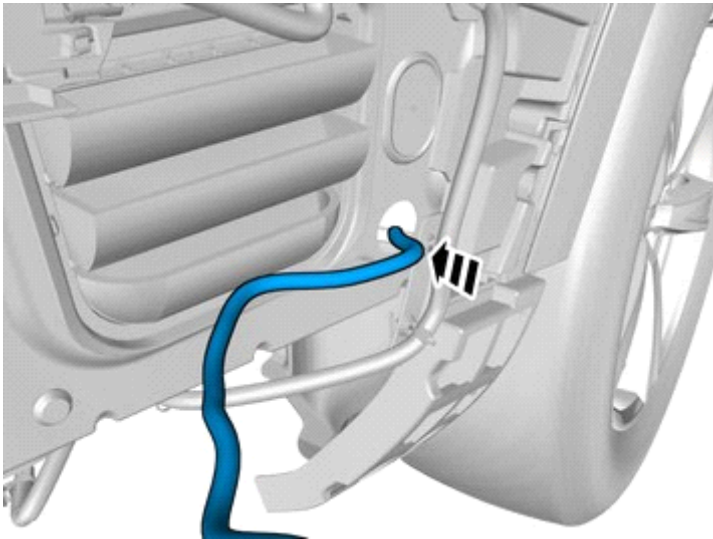
99



IMG-386729

The part is not to be reused.

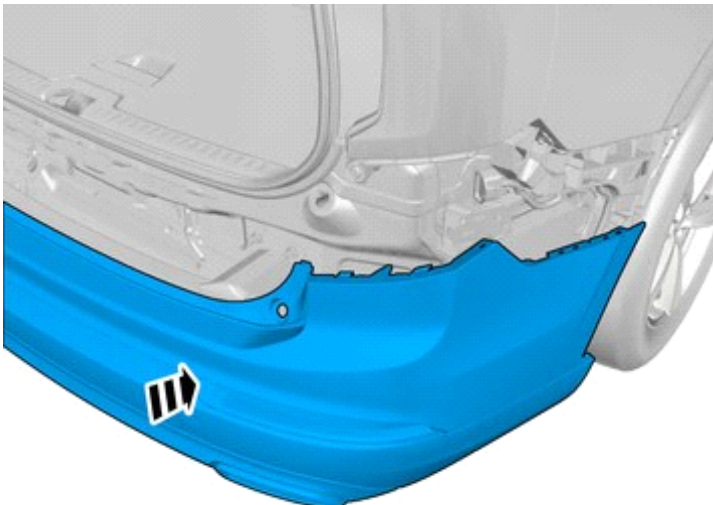
100



IMG-409450

Route the wiring harness into the passenger compartment.

101



IMG-409455

Request the aid of a colleague for this procedure.

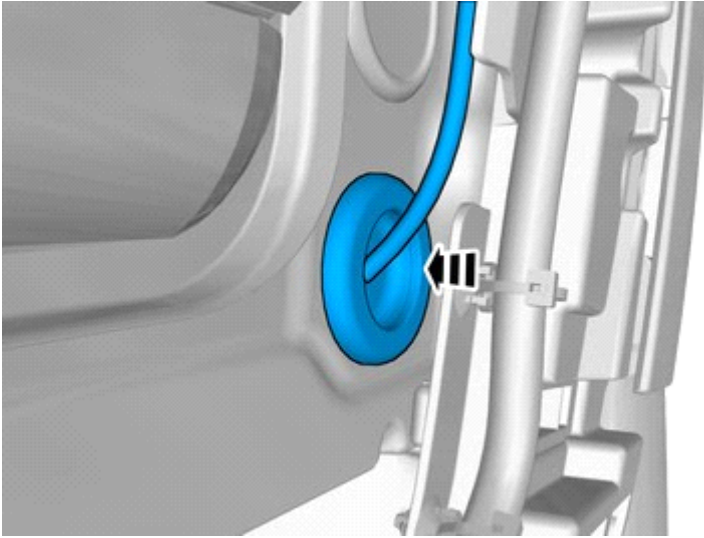
Place the Bumper Cover in position for installation.



Installation instructions, accessories

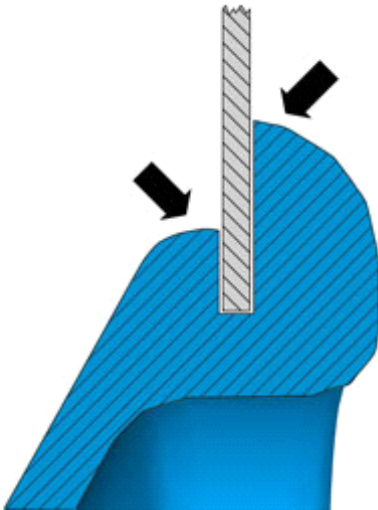
Volvo Car Corporation Gothenburg, Sweden

102



IMG-403340

103



IMG-358177

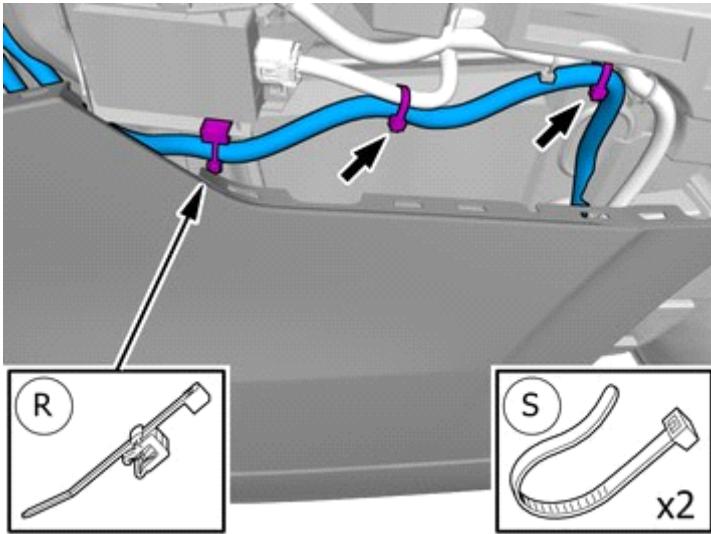
Caution!
Make sure that the rubber grommet seals properly to the body.



Installation instructions, accessories

Volvo Car Corporation Gothenburg, Sweden

104



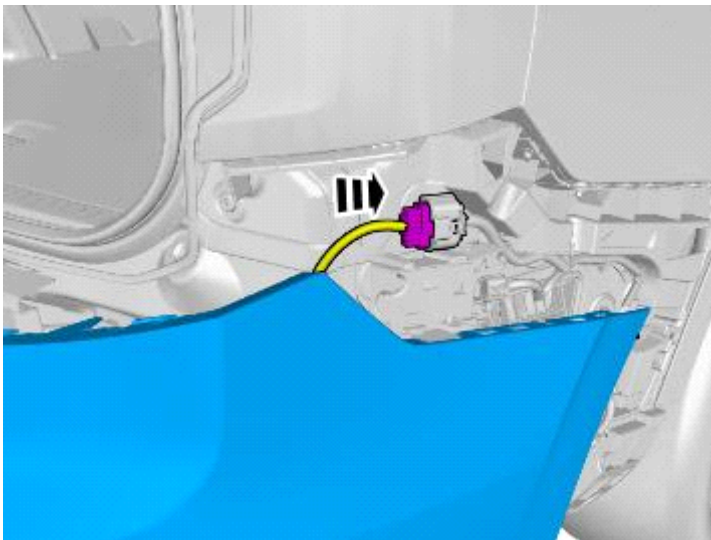
IMG-409500

Install the wiring harness.

Use a cable tie

Installation

105



IMG-384699

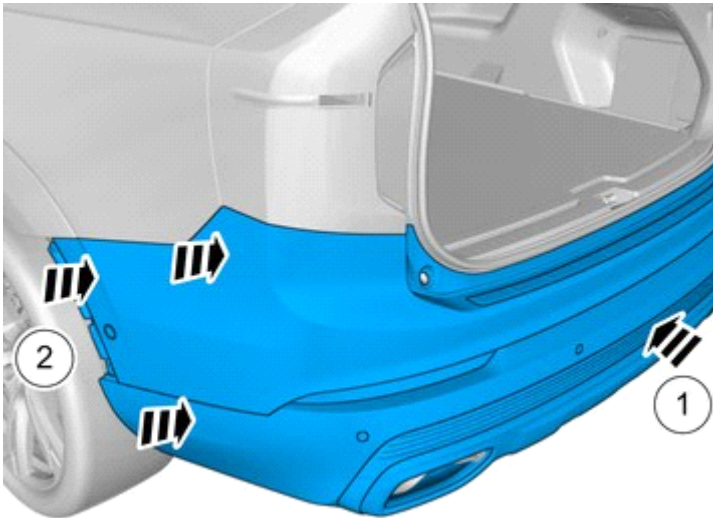
Connect the connector.



Installation instructions, accessories

Volvo Car Corporation Gothenburg, Sweden

106

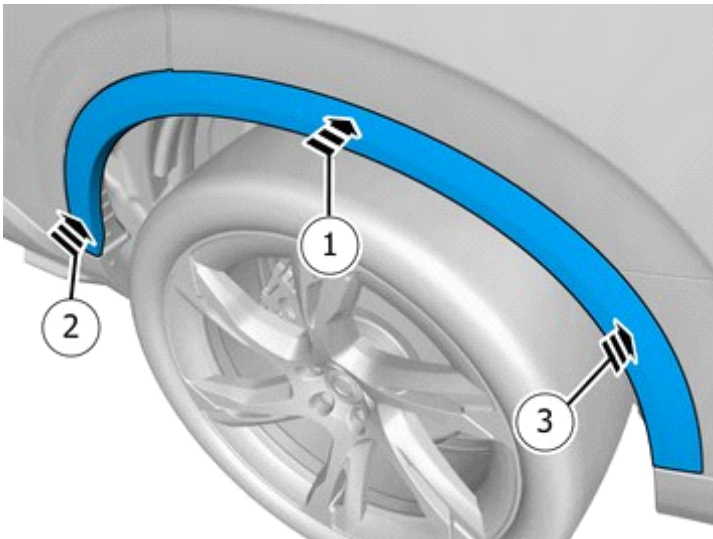


IMG-383543

Reinstall the bumper.

Repeat on the other side.

107



IMG-402997

Note!

Make sure to follow the sequence indicated.

Reinstall the removed part.

Ensure that all clips engage.

Repeat on the other side.

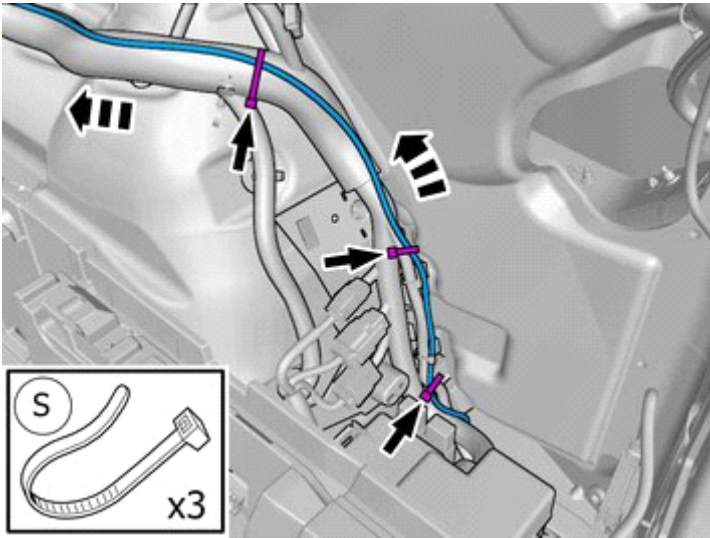
Accessory installation



Installation instructions, accessories

Volvo Car Corporation Gothenburg, Sweden

108



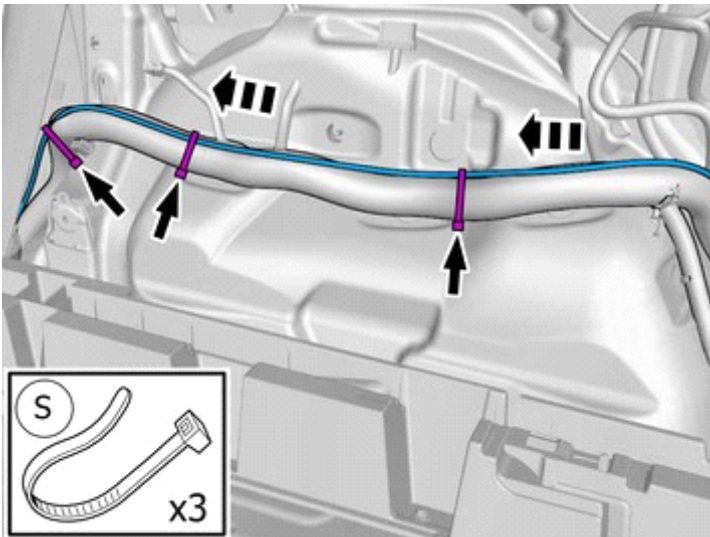
IMG-386748

Route the cable harness to the existing cable harness.

Install the wiring harness.

Use a cable tie

109



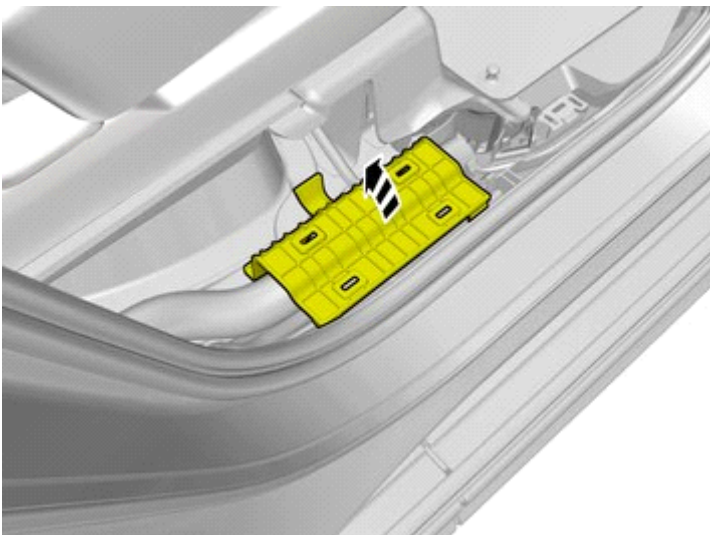
IMG-386753

Route the cable harness to the existing cable harness.

Install the wiring harness.

Use a cable tie

110



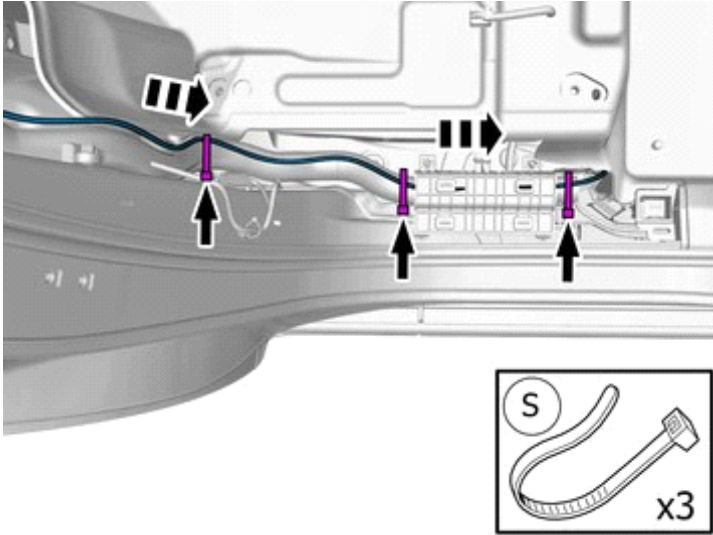
IMG-397598



Installation instructions, accessories

Volvo Car Corporation Gothenburg, Sweden

111



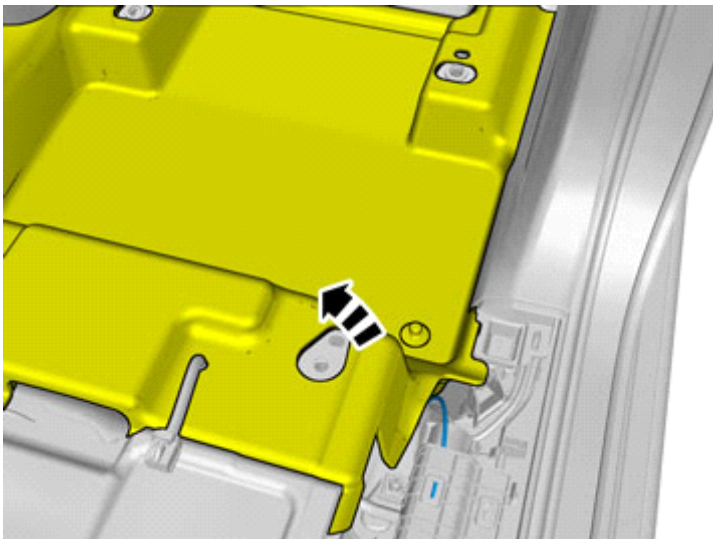
IMG-402306

Route the cable harness to the existing cable harness.

Install the wiring harness.

Use a cable tie

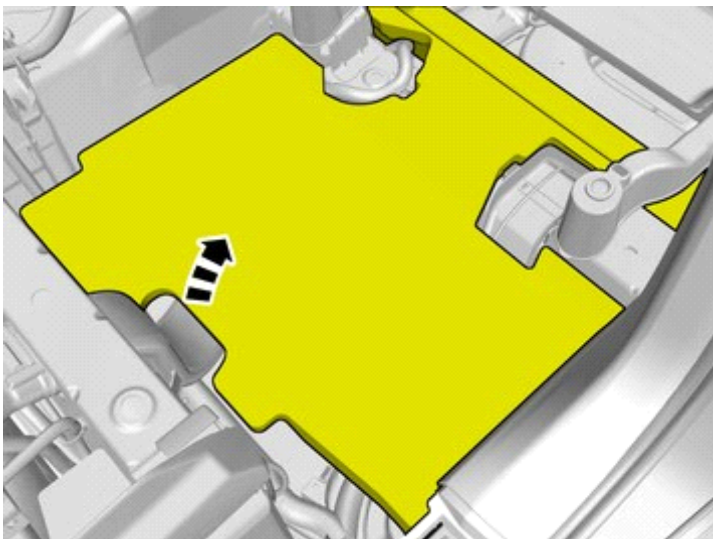
112



IMG-383238

Fold the carpet to the side.

113



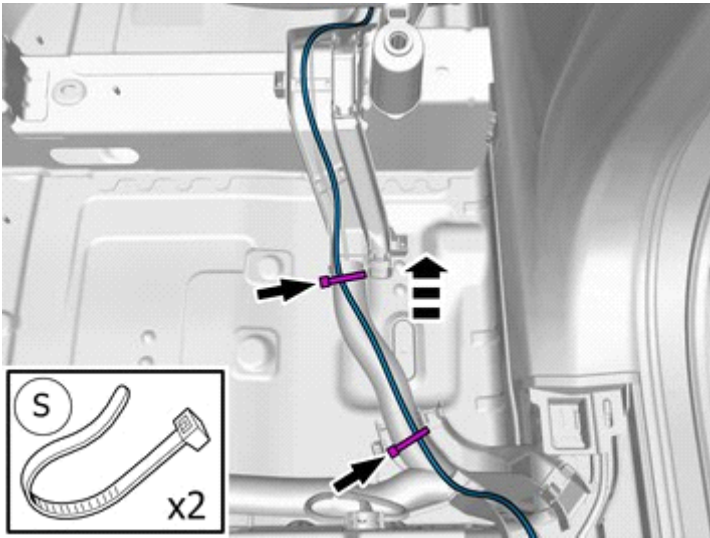
IMG-404485



Installation instructions, accessories

Volvo Car Corporation Gothenburg, Sweden

114



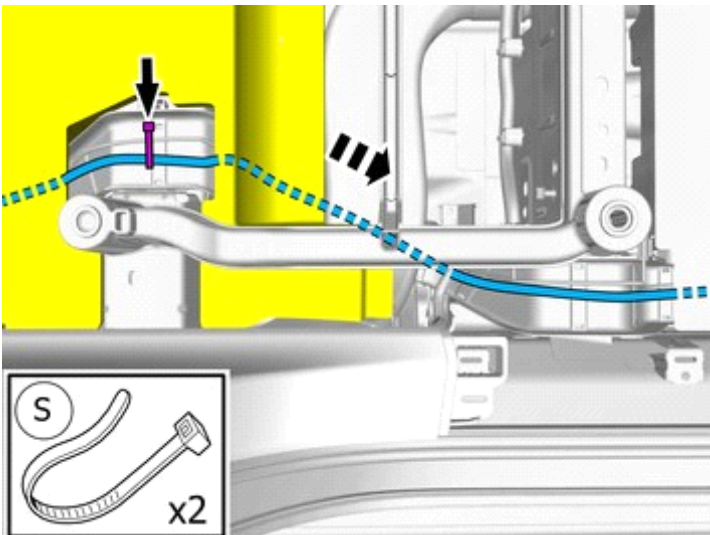
IMG-383244

Route the cable harness to the existing cable harness.

Install the wiring harness.

Use a cable tie

115



IMG-404500

Route the cable harness to the existing cable harness.

Install the wiring harness.

Use a cable tie



Installation instructions, accessories

Volvo Car Corporation Gothenburg, Sweden

116



IMG-397252

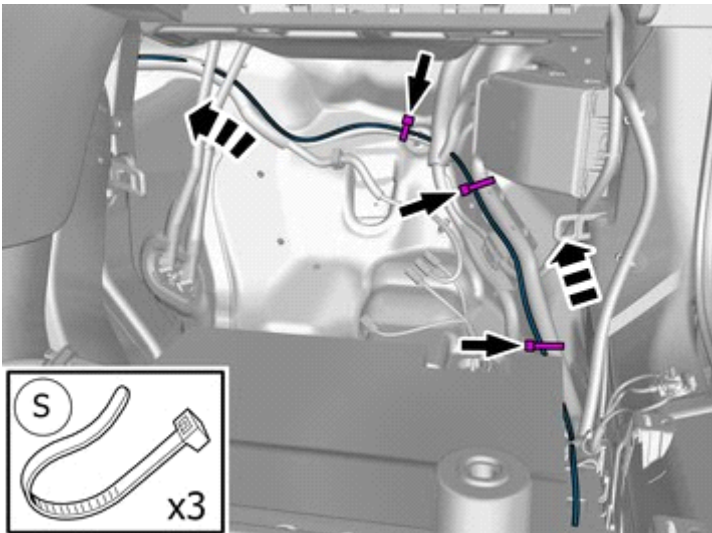
117



IMG-383240

Route the cable harness to the existing cable harness.

118



IMG-402310

Route the cable harness to the existing cable harness.

Install the wiring harness.

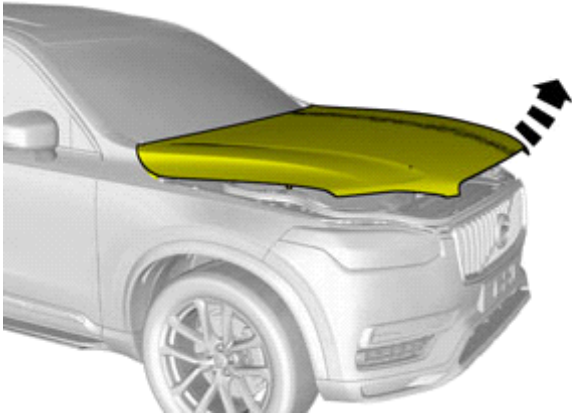
Use a cable tie



Removal

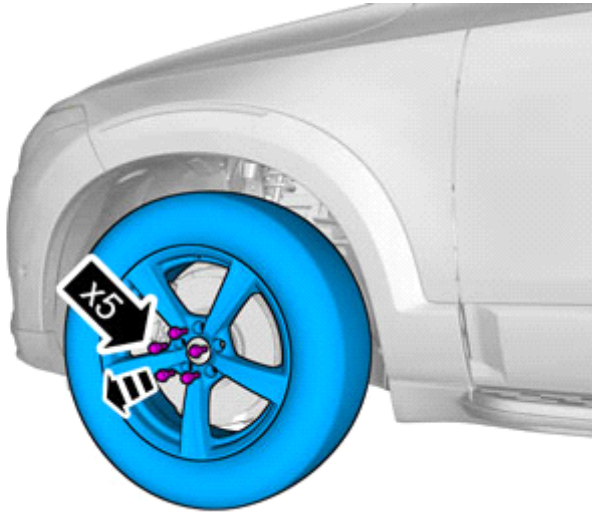
119

Open the hood.



IMG-382528

120



IMG-382209

Tightening torque: Aluminum wheel rim to wheel hub

Stage 1: 4 Nm

Stage 2: 50 Nm

Stage 3: 140 Nm

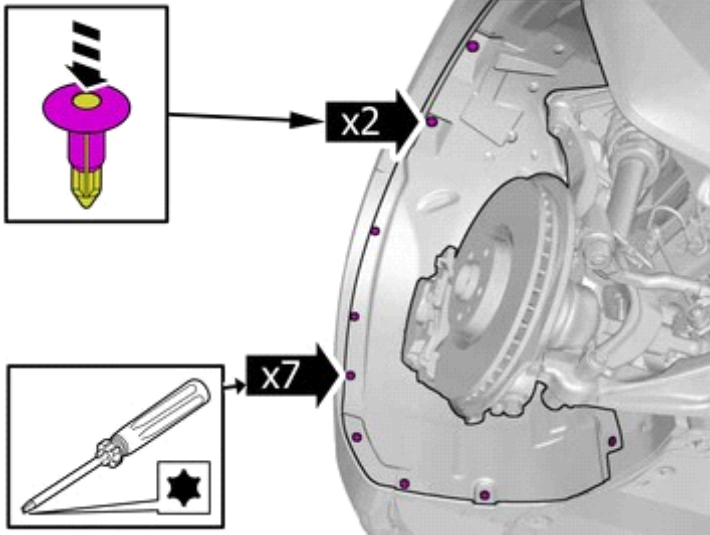
Repeat on the other side.



Installation instructions, accessories

Volvo Car Corporation Gothenburg, Sweden

121

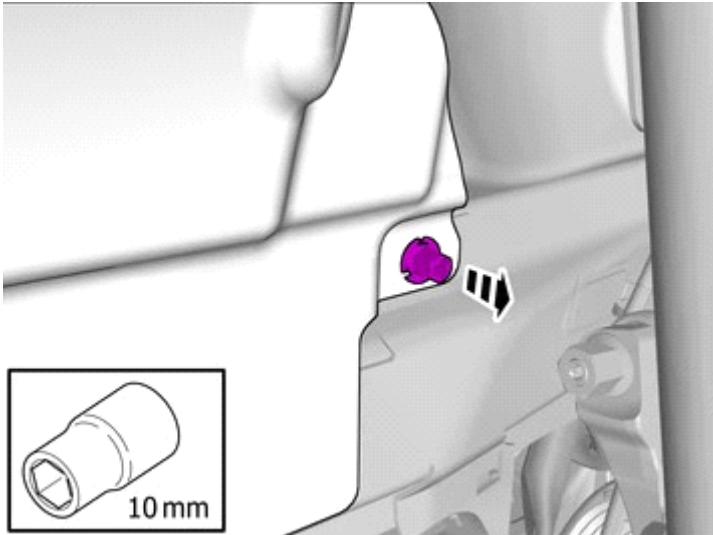


IMG-382210

Remove the screws.

Repeat on the other side.

122

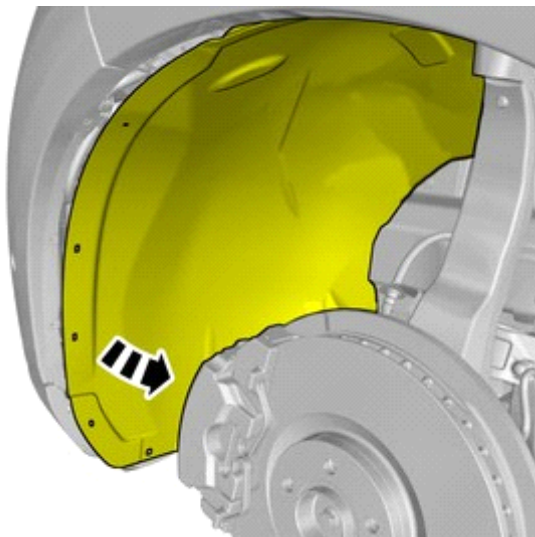


IMG-382280

Remove the nut.

Repeat on the other side.

123



IMG-382211

Fold the wing liner to one side.

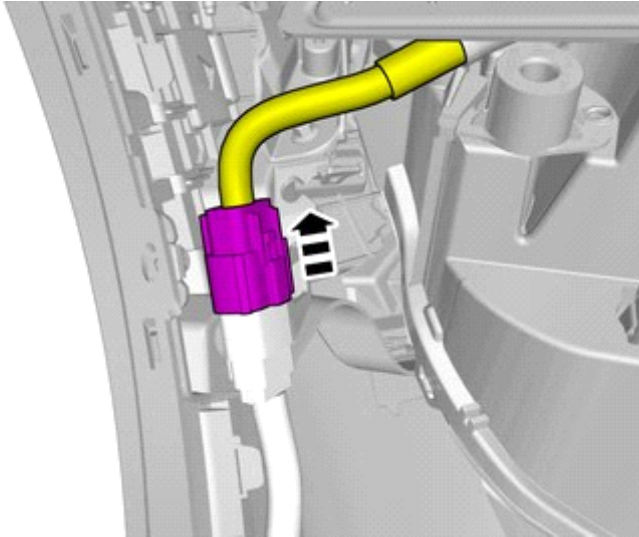
Repeat on the other side.



Installation instructions, accessories

Volvo Car Corporation Gothenburg, Sweden

124

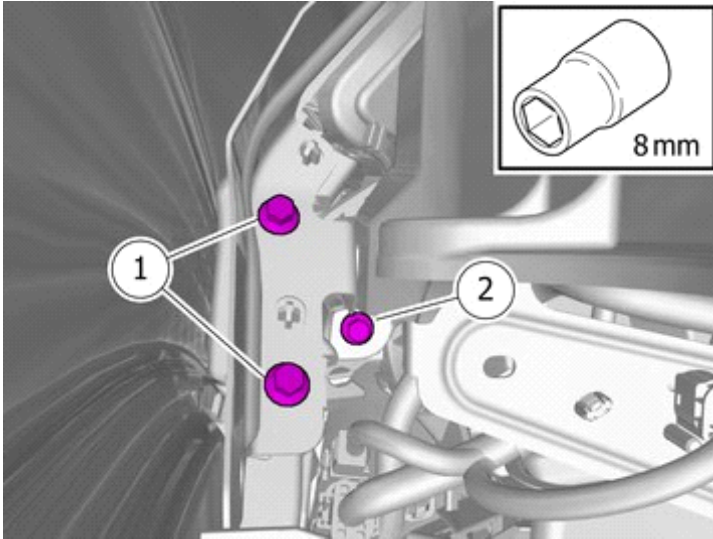


IMG-396574

Disconnect the connector.

Vehicles early version

125



IMG-382216

Remove the screws.

Repeat on the other side.

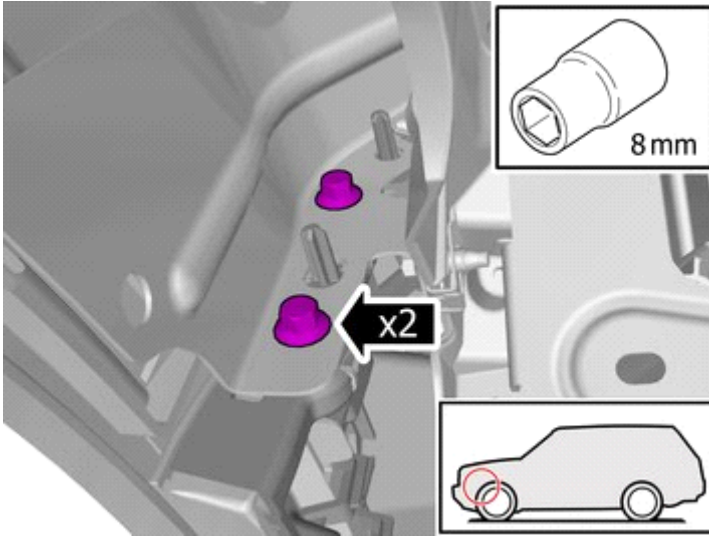
Vehicles late version



Installation instructions, accessories

Volvo Car Corporation Gothenburg, Sweden

126



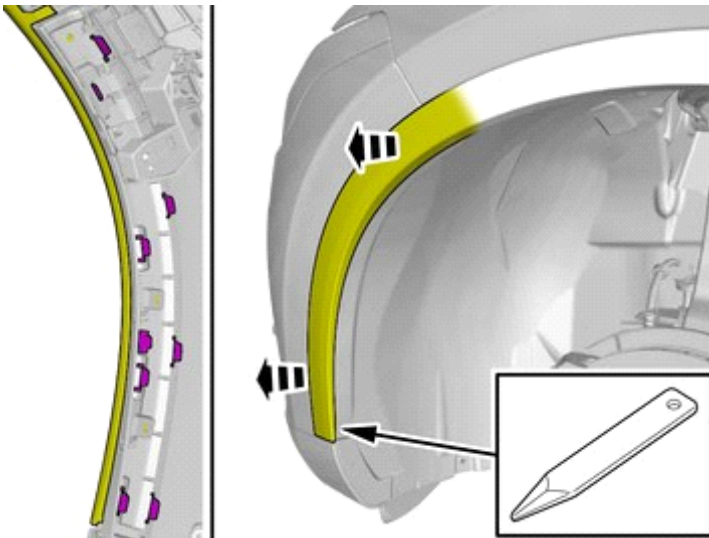
IMG-412857

Remove the screws.

Repeat on the other side.

All vehicles

127



IMG-398082

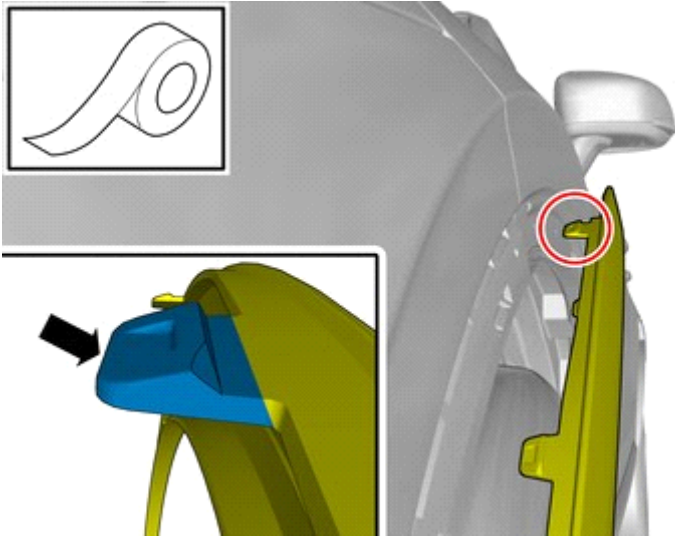
Repeat on the other side.



Installation instructions, accessories

Volvo Car Corporation Gothenburg, Sweden

128

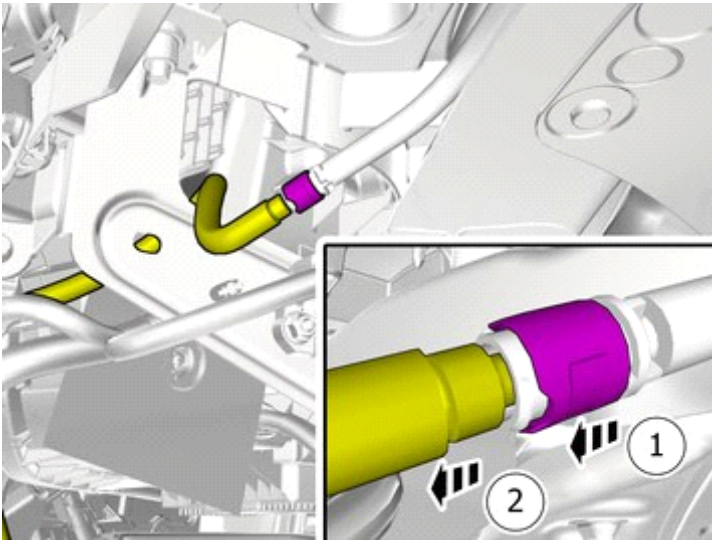


IMG-398324

Repeat on the other side.

Vehicles with headlamp washers

129



IMG-396579

Warning!

Be prepared to collect escaping fluid.

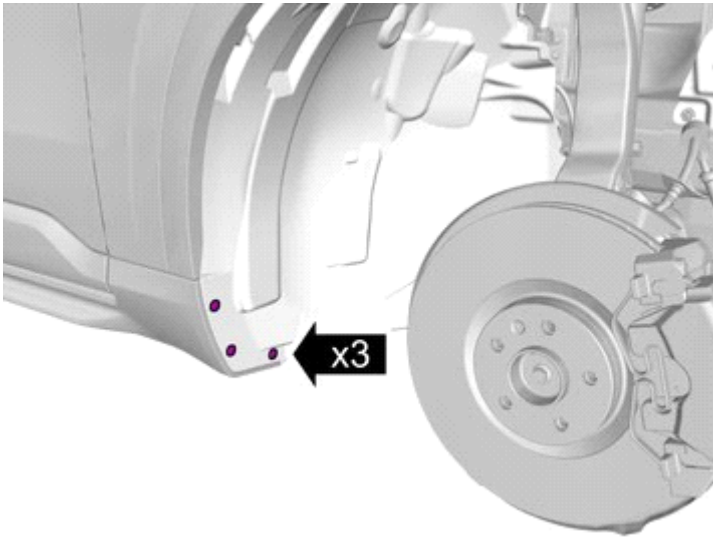
All vehicles



Installation instructions, accessories

Volvo Car Corporation Gothenburg, Sweden

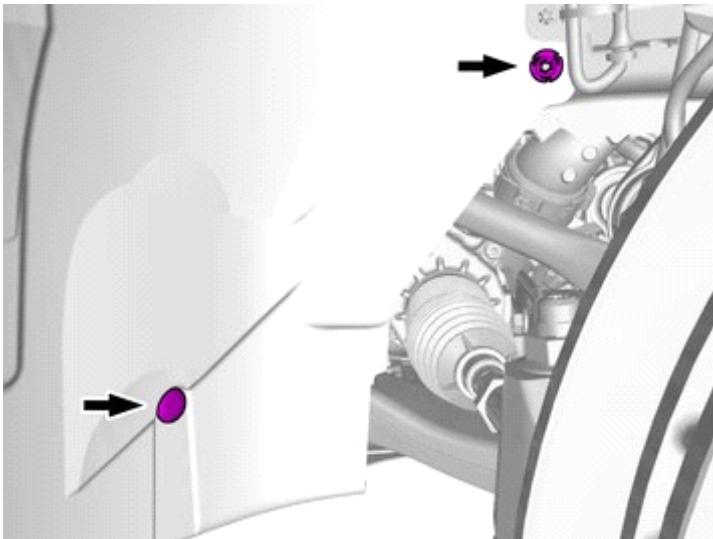
130



Remove the screws.

IMG-402167

131



Remove the clip.

Remove the nut.

IMG-402166

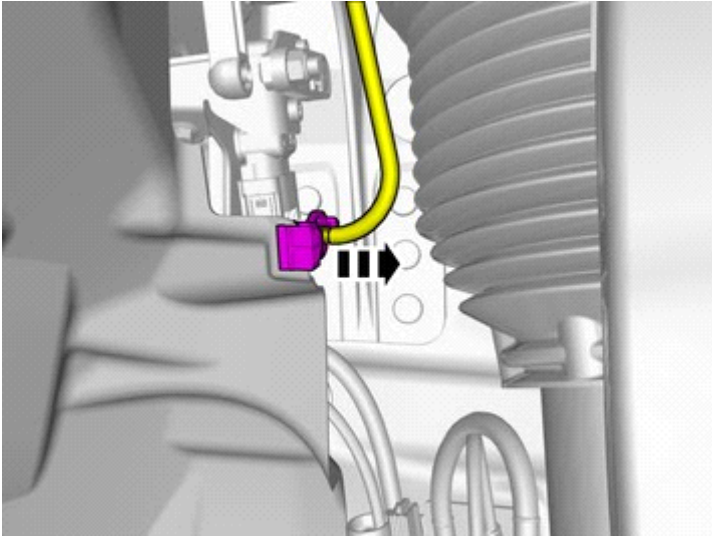
Vehicles with air suspension



Installation instructions, accessories

Volvo Car Corporation Gothenburg, Sweden

132

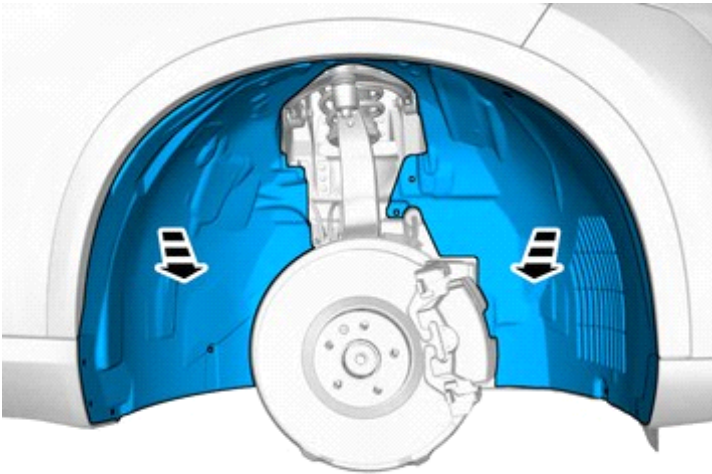


IMG-406668

Unhook the clip(s).

All vehicles

133



IMG-402163

Remove the marked part.

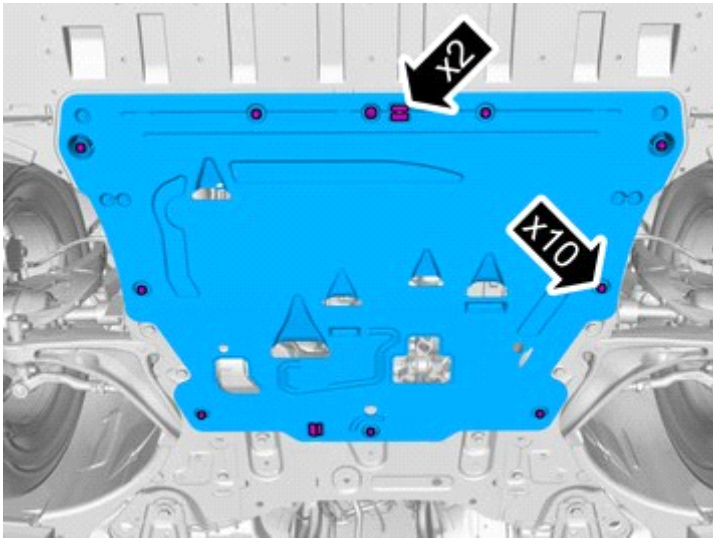
All vehicles



Installation instructions, accessories

Volvo Car Corporation Gothenburg, Sweden

134

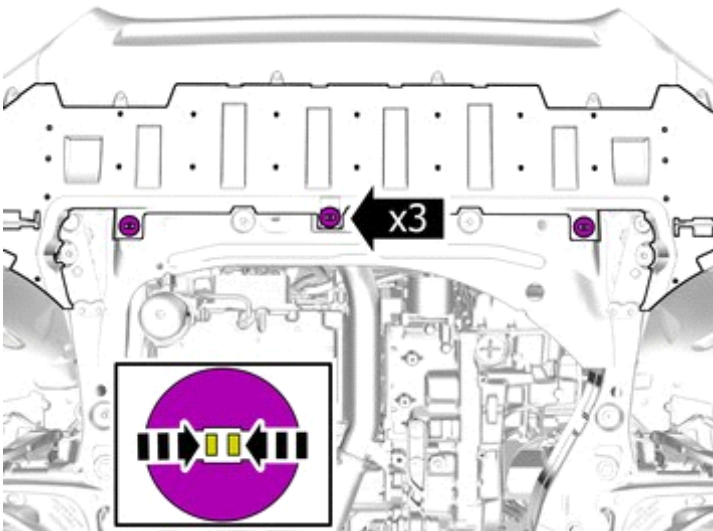


IMG-382204

Remove the clips.

Remove the screws.

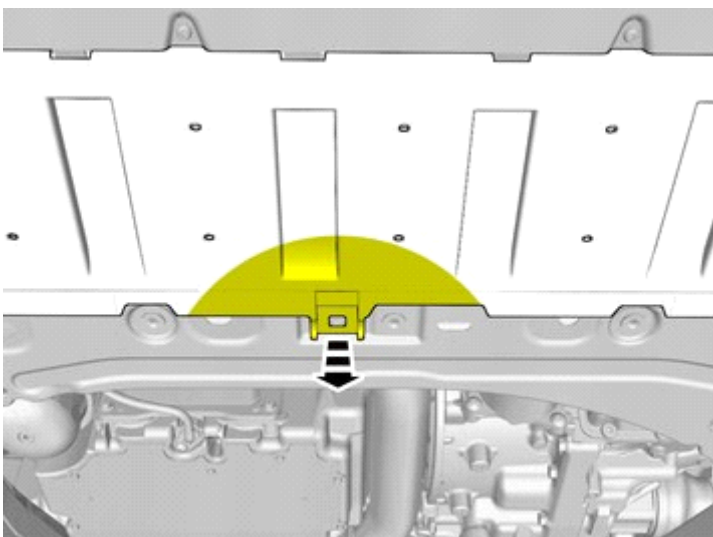
135



IMG-387143

Remove the clips.

136



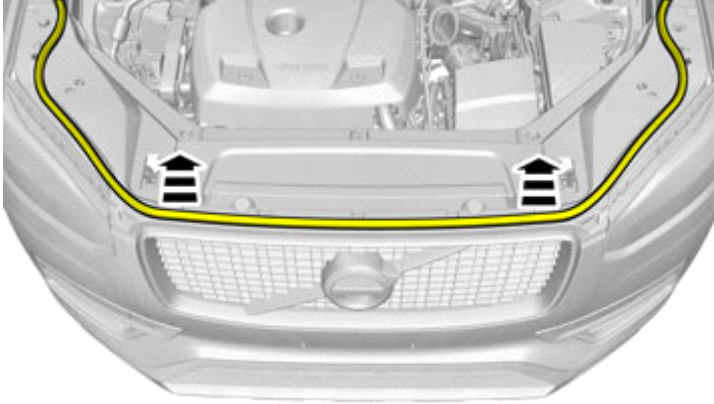
IMG-398535



Installation instructions, accessories

Volvo Car Corporation Gothenburg, Sweden

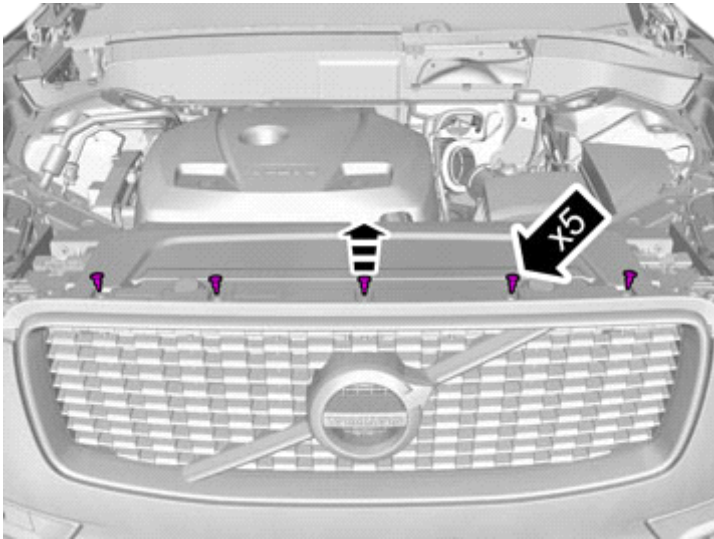
137



Remove the weatherstrip.

IMG-382200

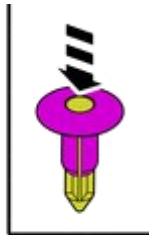
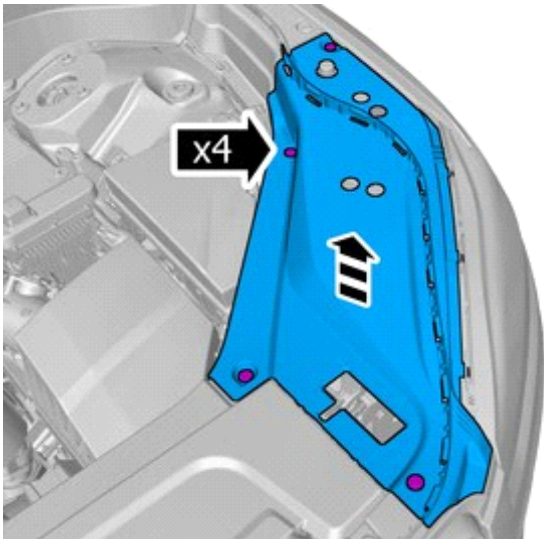
138



Remove the clips.

IMG-382201

139



Remove the clips.

Remove the marked part.

Repeat on the other side.

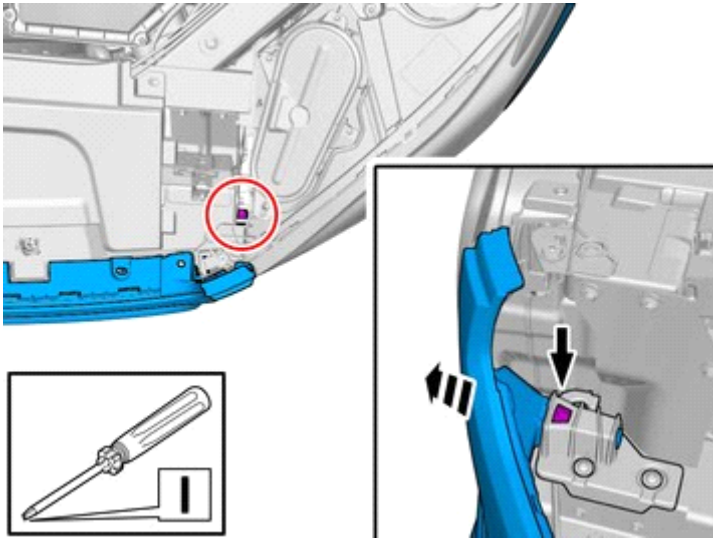
IMG-398087



Installation instructions, accessories

Volvo Car Corporation Gothenburg, Sweden

140



IMG-386979

Repeat on the other side.

141



IMG-387146

Note!

This step is easier with two people.

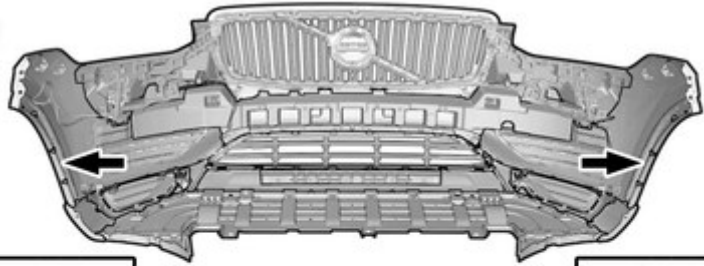
Accessory installation



Installation instructions, accessories

Volvo Car Corporation Gothenburg, Sweden

142



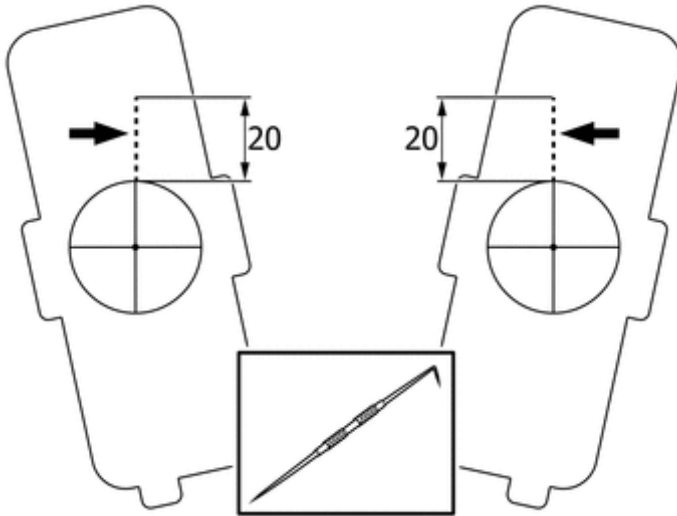
IMG-386146

Locate the markings for the positions.

Mark the centre.

Use: Scribe

143

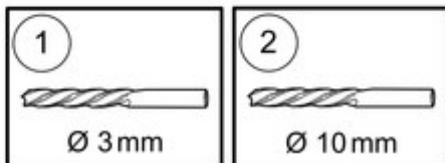
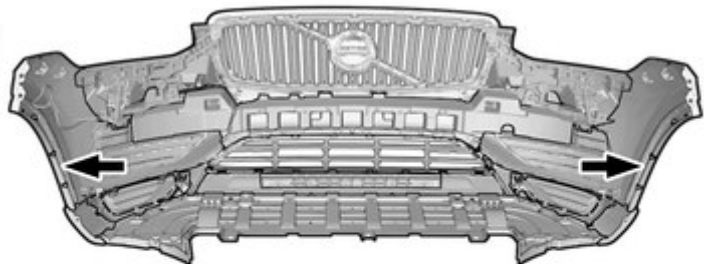


IMG-402106

Measure and mark as illustrated.

Use: Scribe

144



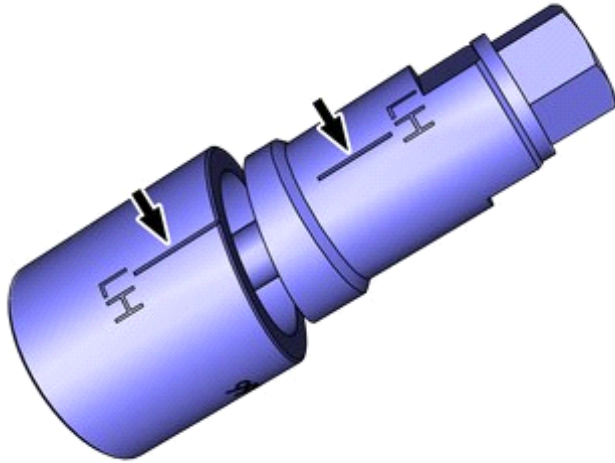
IMG-386150



Installation instructions, accessories

Volvo Car Corporation Gothenburg, Sweden

145



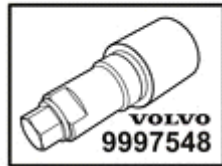
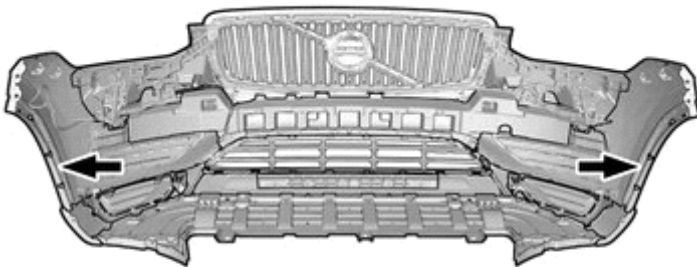
IMG-401855

Note!

Check that the markings are opposite each other and that they are pointing downwards when the tool is used.

Use special tool: T9997548, Hole punch

146

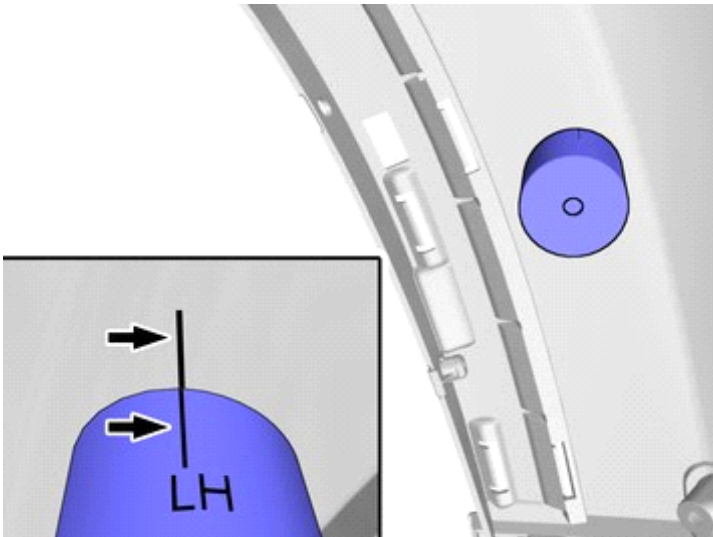


IMG-386151

Caution!

Sharp end of tool must be on outside of cover.

147



IMG-401879

Note!

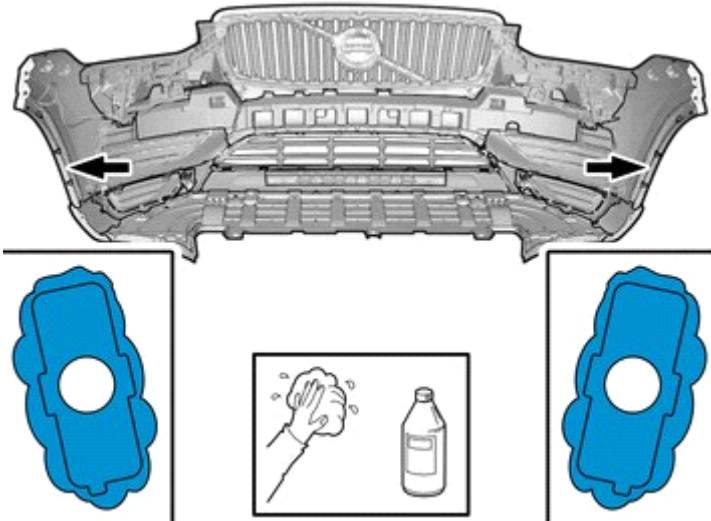
Check that the markings are opposite each other and that they are pointing downwards when the tool is used.



Installation instructions, accessories

Volvo Car Corporation Gothenburg, Sweden

148



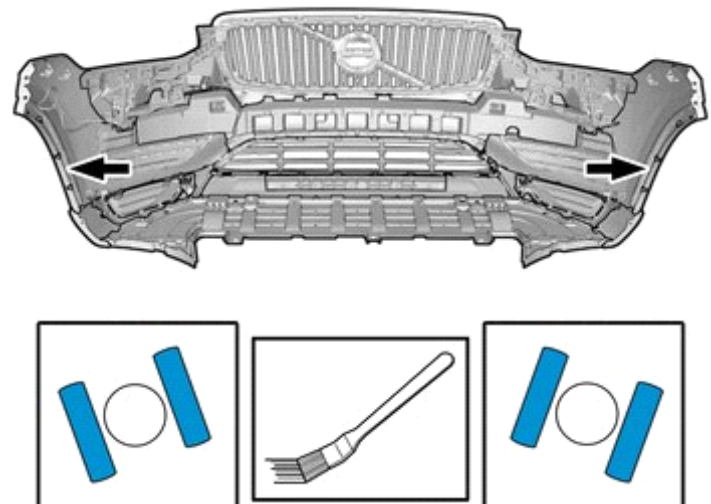
IMG-386154

Clean the surfaces.

Use: 1161721, Isopropanol

Allow to dry.

149



IMG-386155

Apply a thin and even layer.

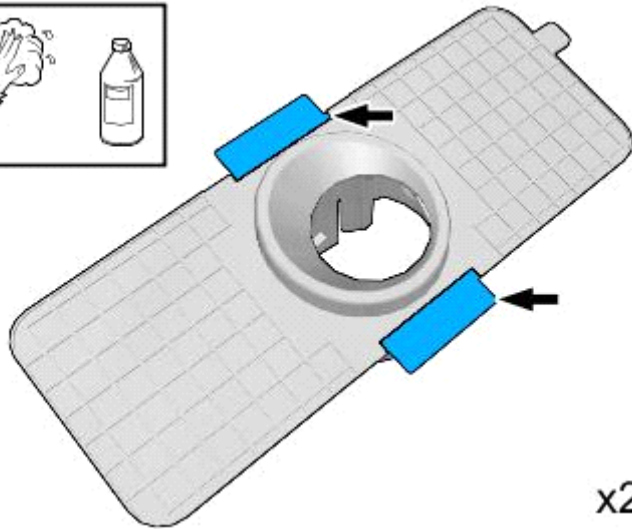
Use: 1161765, Primer

Allow to dry for at least 2 minutes, but no more than 60minutes.



Installation instructions, accessories

Volvo Car Corporation Gothenburg, Sweden

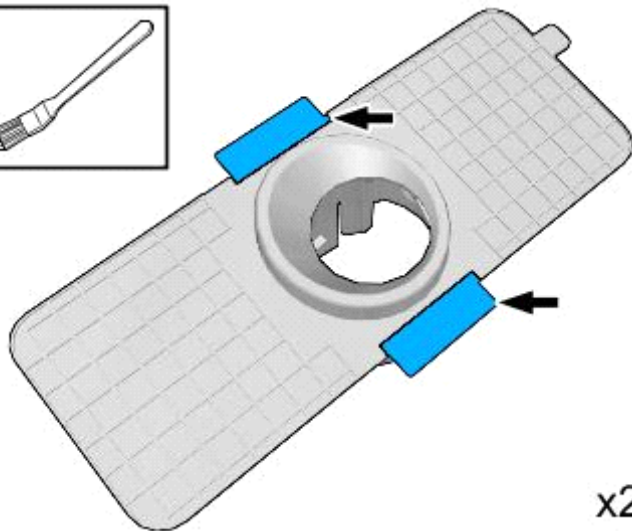
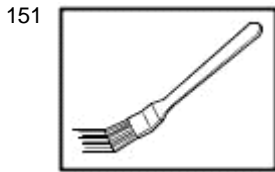


IMG-384538

Clean the surfaces.

Use: 1161721, Isopropanol

Allow to dry.

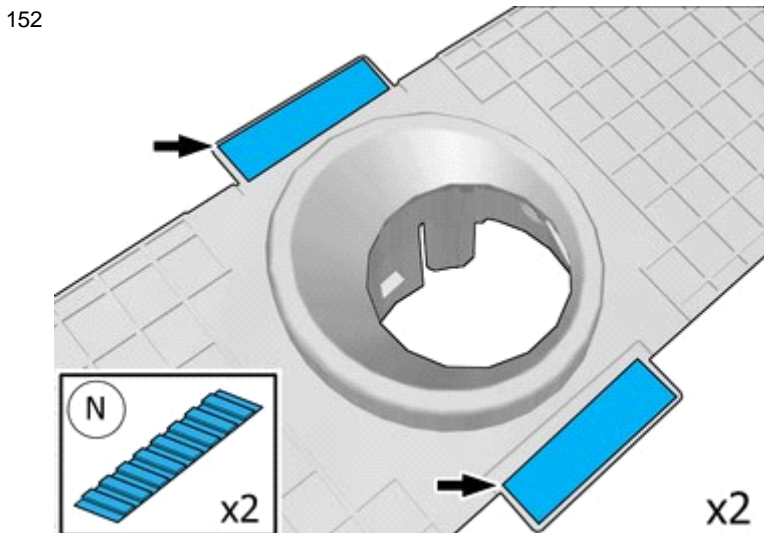


IMG-384536

Apply a thin and even layer.

Use: 1161765, Primer

Allow to dry for at least 2 minutes, but no more than 60minutes.



IMG-386162

Note!
Prepare and install one holder at a time.

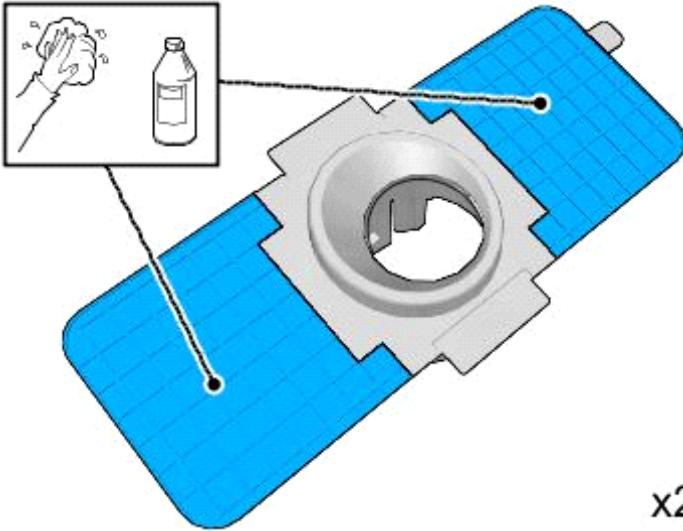
Install component that comes with the accessory kit.



Installation instructions, accessories

Volvo Car Corporation Gothenburg, Sweden

153



IMG-386164

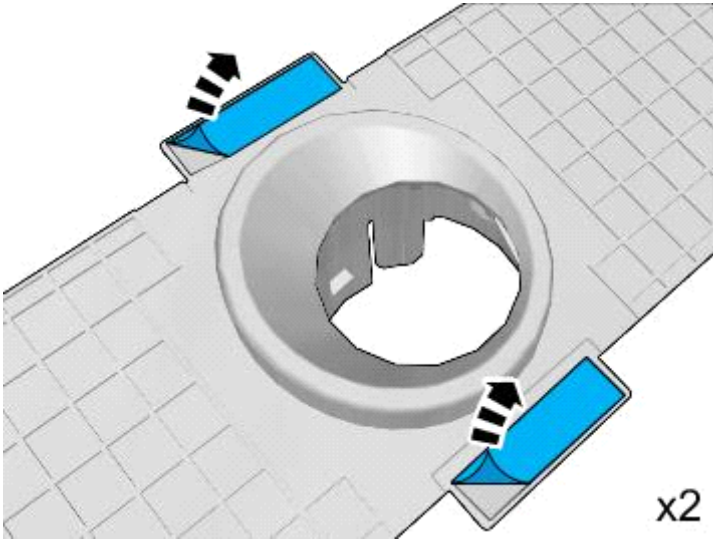
x2

Clean the surface.

Use: 1161721, Isopropanol

Allow to dry.

154

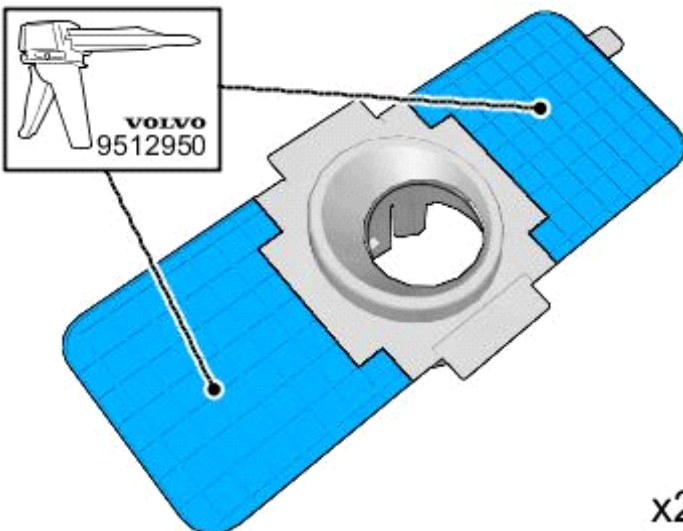


IMG-384530

x2

Remove the protective film.

155



IMG-386165

x2

Warning!
Wear protective gloves.

Warning!
Make sure to provide adequate ventilation.

Use special tool: T9512950, Glue gun (kit)

Use: 9511027, Glue

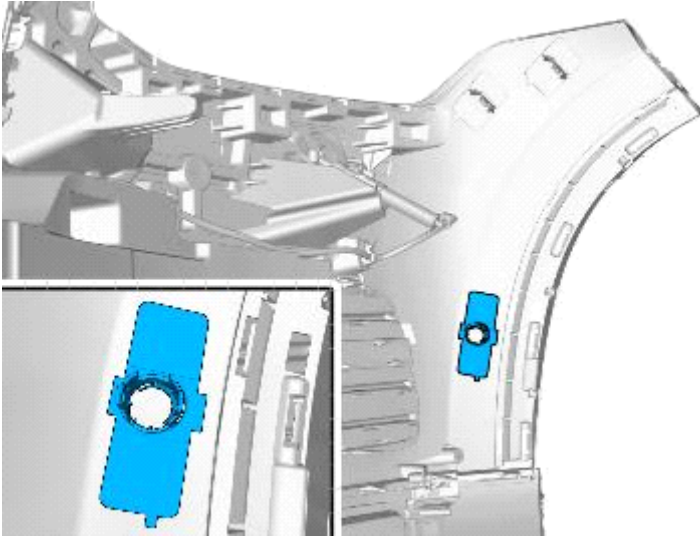
Use: 1161730, Mixing pipe



Installation instructions, accessories

Volvo Car Corporation Gothenburg, Sweden

156

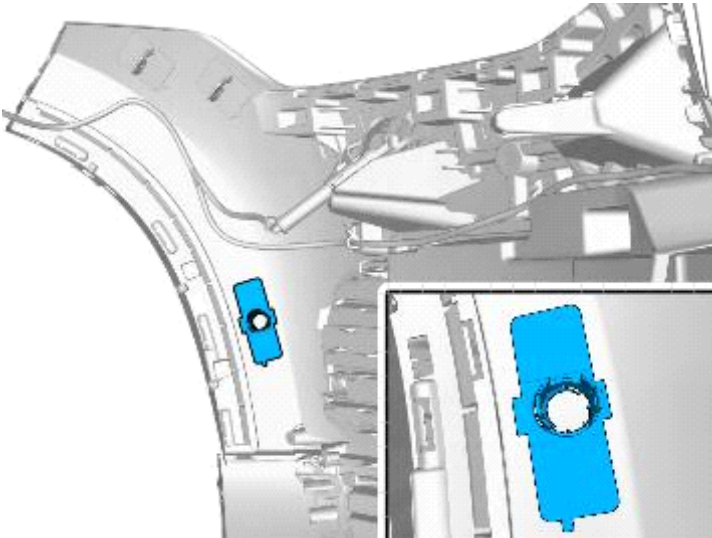


IMG-386174

Note!

Note the position.

157



IMG-386175

Note!

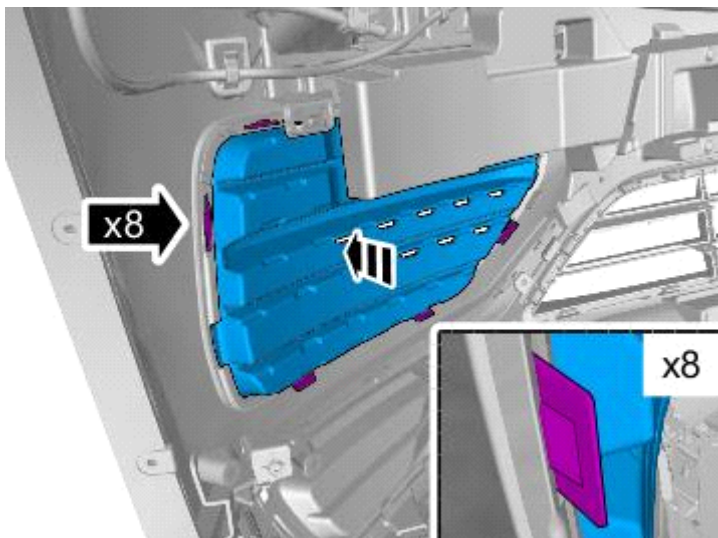
Note the position.



Installation instructions, accessories

Volvo Car Corporation Gothenburg, Sweden

158

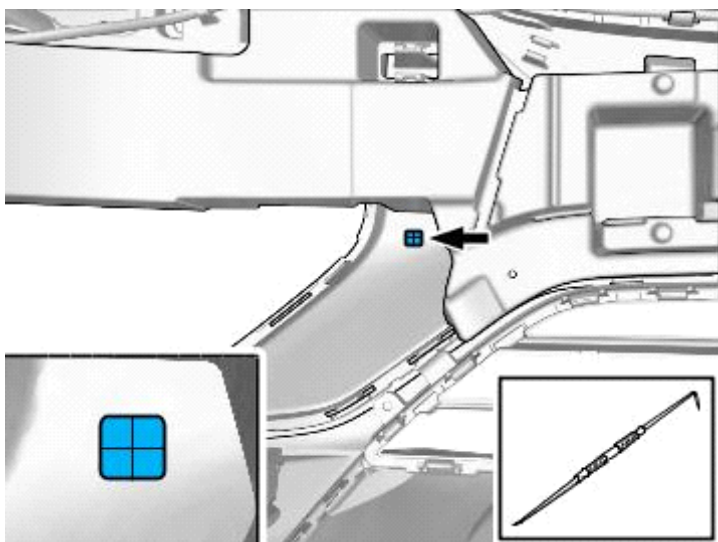


IMG-386127

The part is not to be reused.

Repeat on the other side.

159



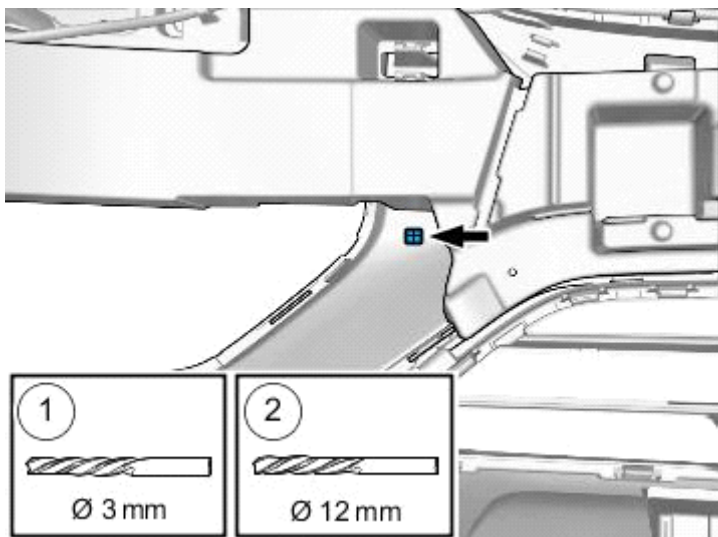
IMG-386401

Locate relevant marking.

Mark the centre.

Repeat on the other side.

160



IMG-386402

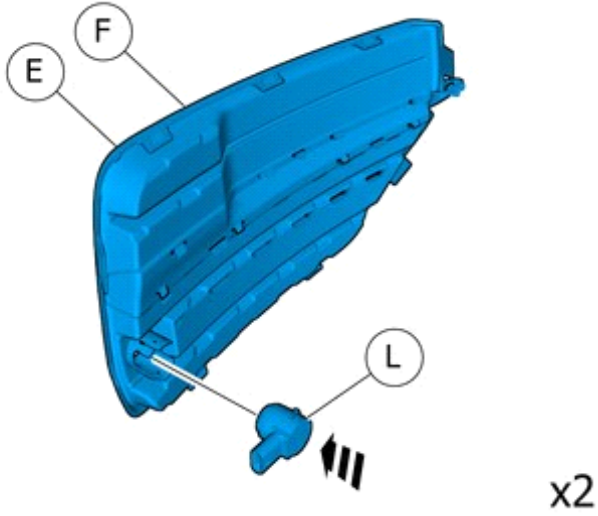
Repeat on the other side.



Installation instructions, accessories

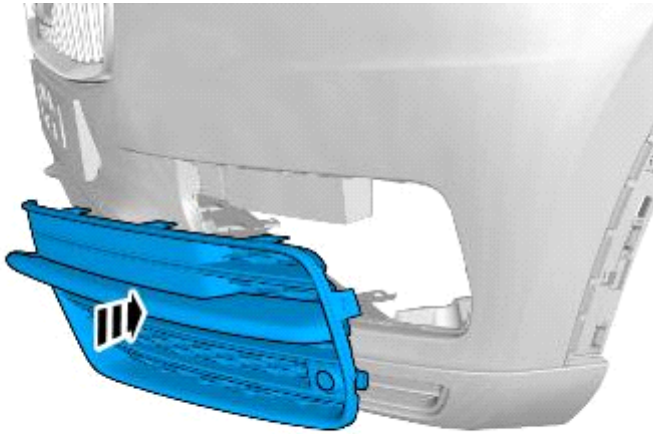
Volvo Car Corporation Gothenburg, Sweden

161



IMG-386124

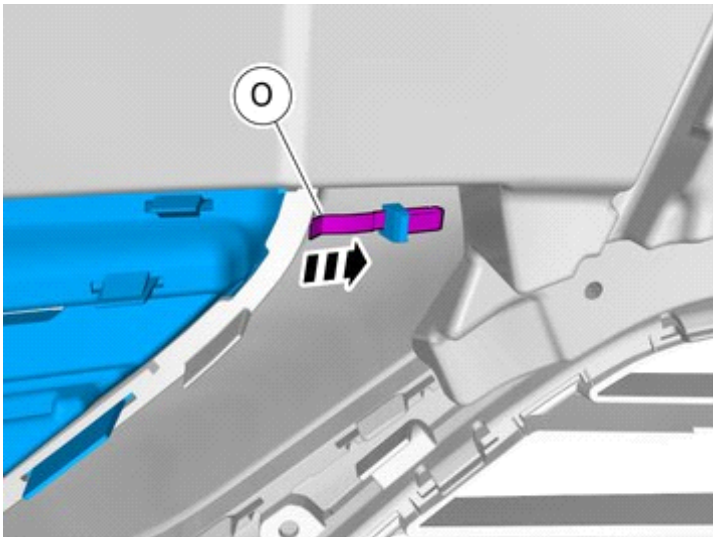
162



Repeat on the other side.

IMG-386125

163



Repeat on the other side.

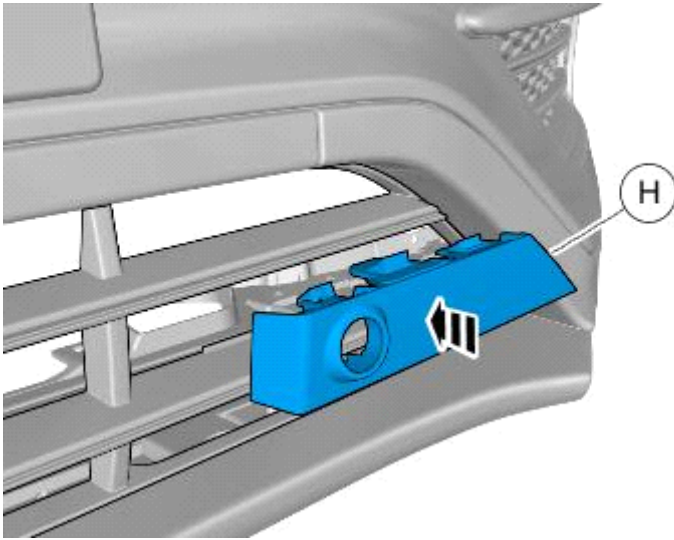
IMG-386384



Installation instructions, accessories

Volvo Car Corporation Gothenburg, Sweden

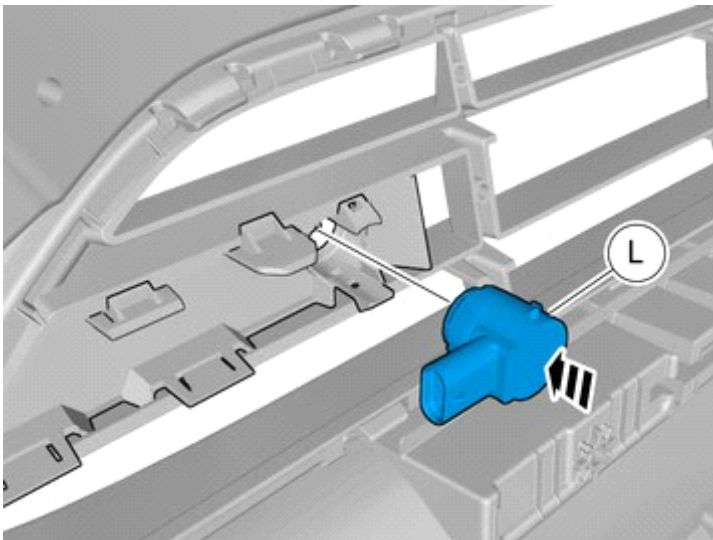
164



IMG-386130

Repeat on the other side.

165



IMG-386466

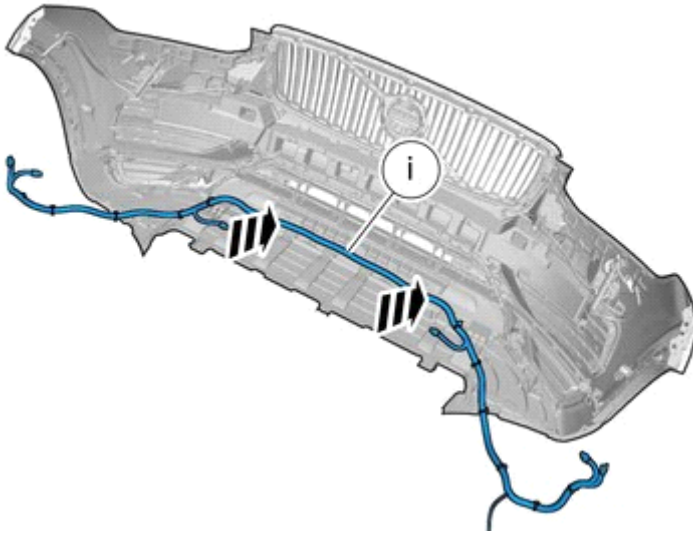
Repeat on the other side.



Installation instructions, accessories

Volvo Car Corporation Gothenburg, Sweden

166

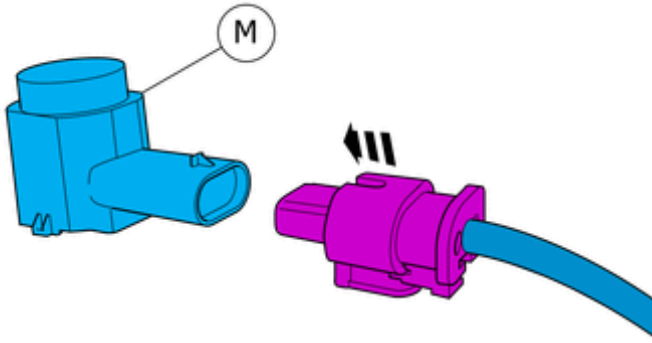


IMG-395202

Put the wiring in the Bumper cover without installing the wiring.

RHD: The cable harness is positioned mirrored.

167

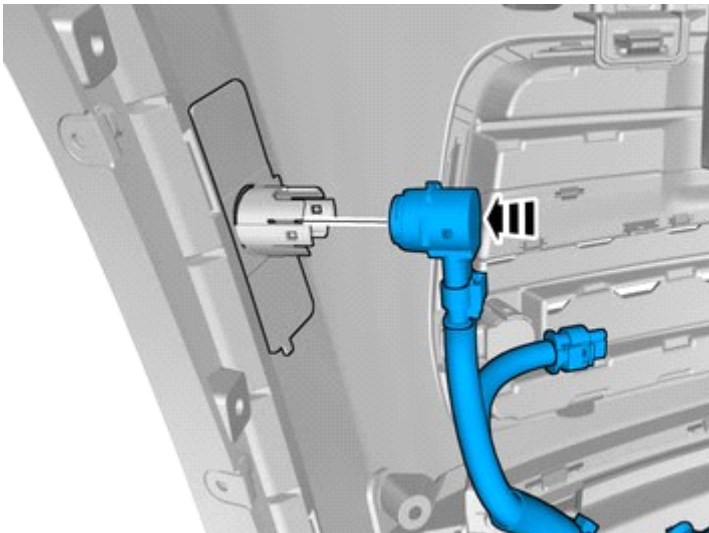


x2

IMG-386854

Connect the two painted sensors to the external connections.

168



IMG-386852

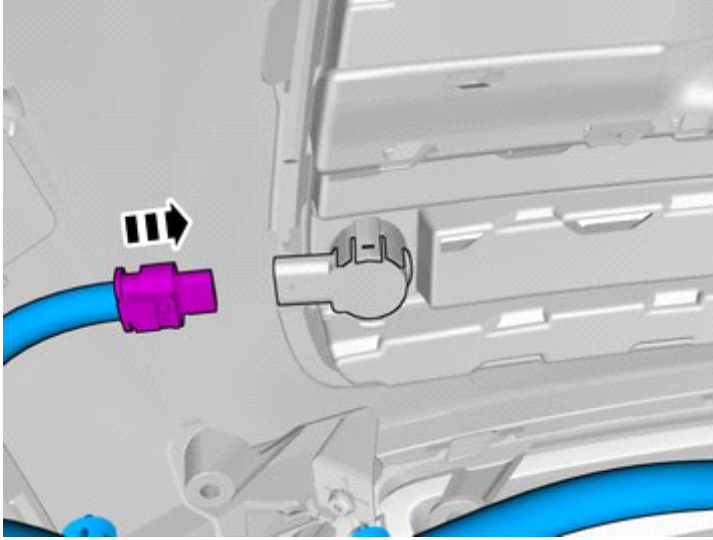
Repeat on the other side.



Installation instructions, accessories

Volvo Car Corporation Gothenburg, Sweden

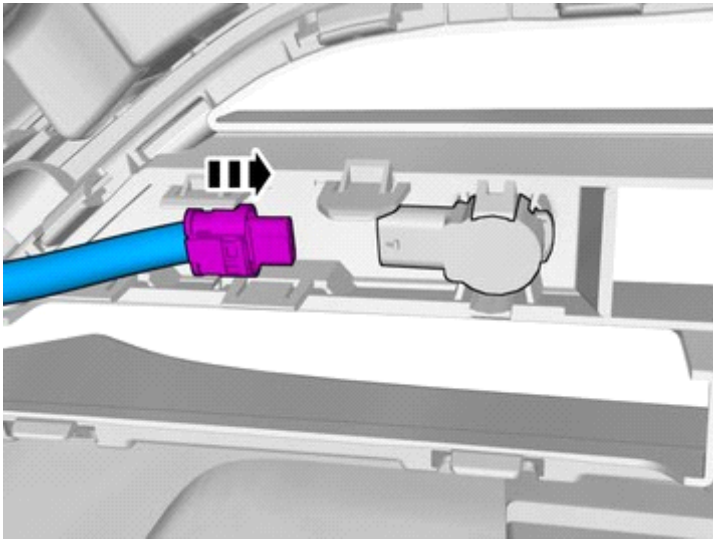
169



IMG-386851

Repeat on the other side.

170



IMG-386850

Repeat on the other side.

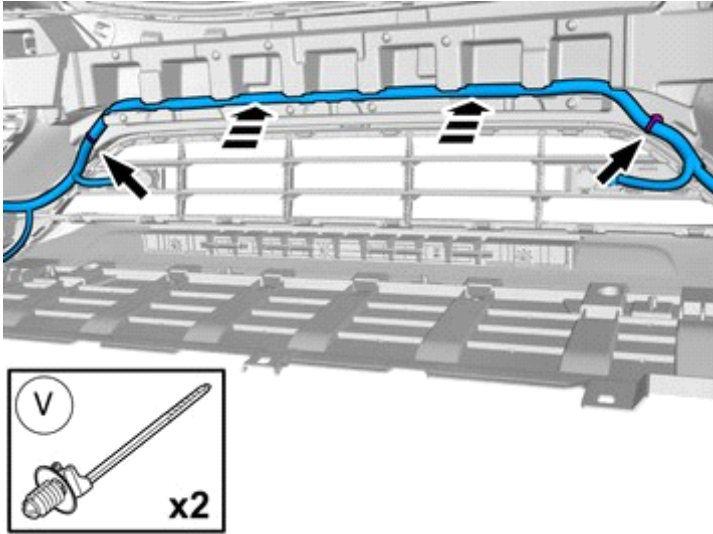
Vehicles without daytime running lamps (DRL)



Installation instructions, accessories

Volvo Car Corporation Gothenburg, Sweden

171



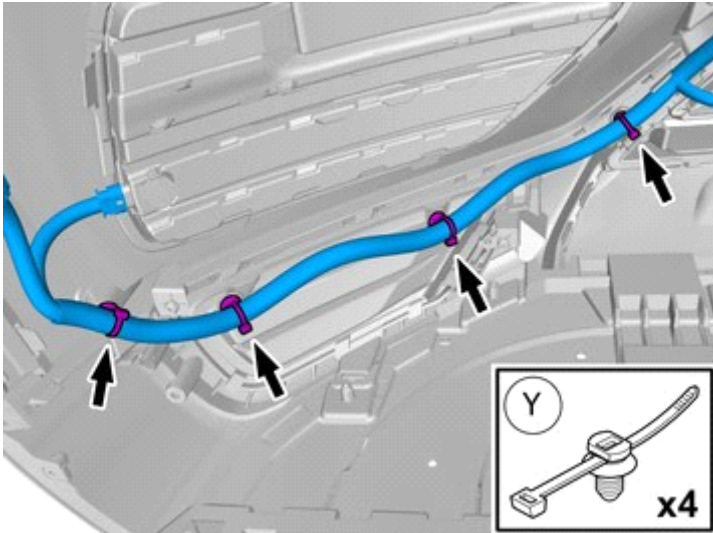
IMG-386847

Position/route the cable harness as illustrated.

Install the wiring harness.

Use a cable tie

172



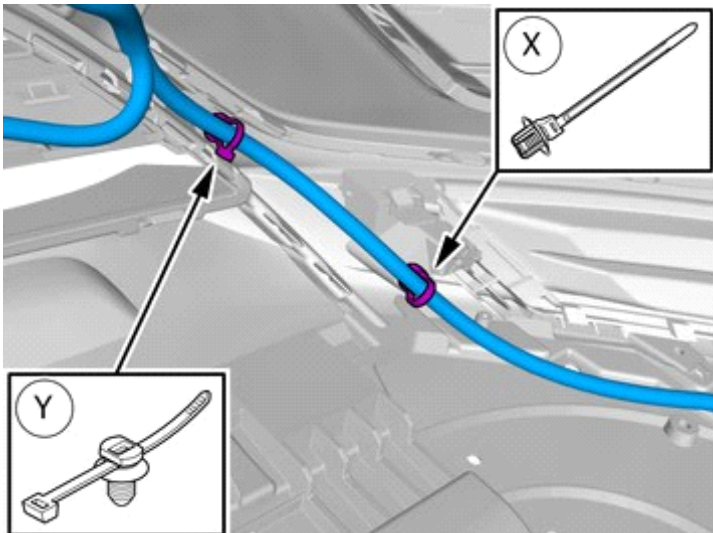
IMG-398123

Position/route the cable harness as illustrated.

Install the wiring harness.

Use a cable tie

173



IMG-386844

Position/route the cable harness as illustrated.

Install the wiring harness.

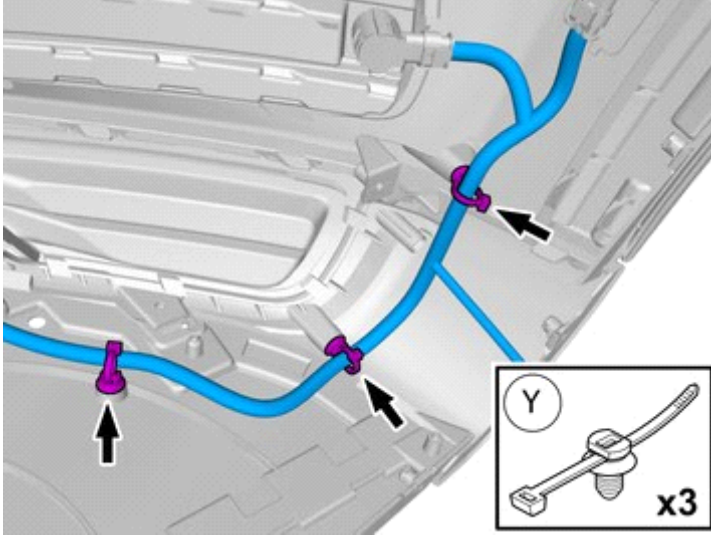
Use a cable tie



Installation instructions, accessories

Volvo Car Corporation Gothenburg, Sweden

174



IMG-401906

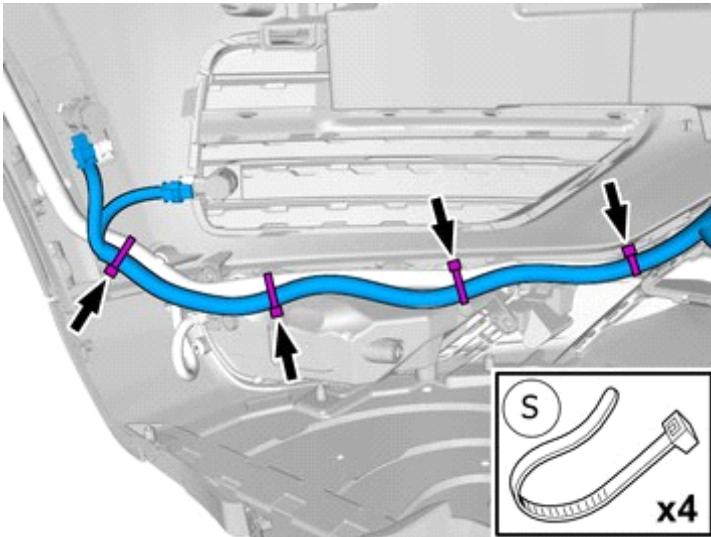
Position/route the cable harness as illustrated.

Install the wiring harness.

Use a cable tie

Vehicles with daytime running lamps (DRL)

175



IMG-402126

Route the cable harness to the existing cable harness.

Install the wiring harness.

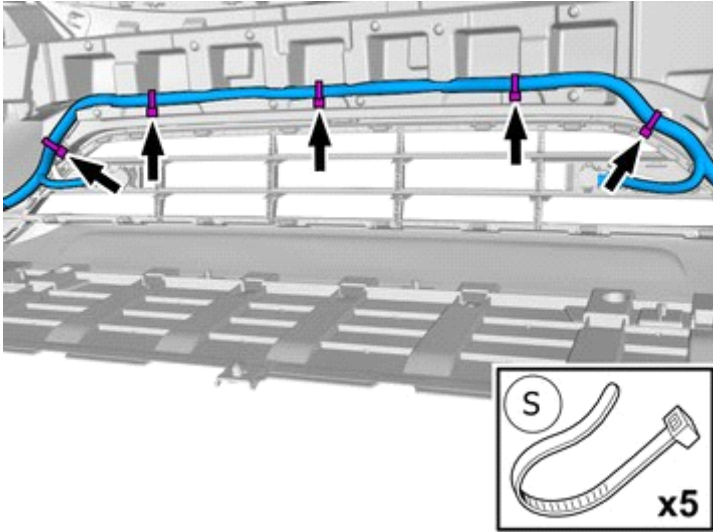
Use a cable tie



Installation instructions, accessories

Volvo Car Corporation Gothenburg, Sweden

176



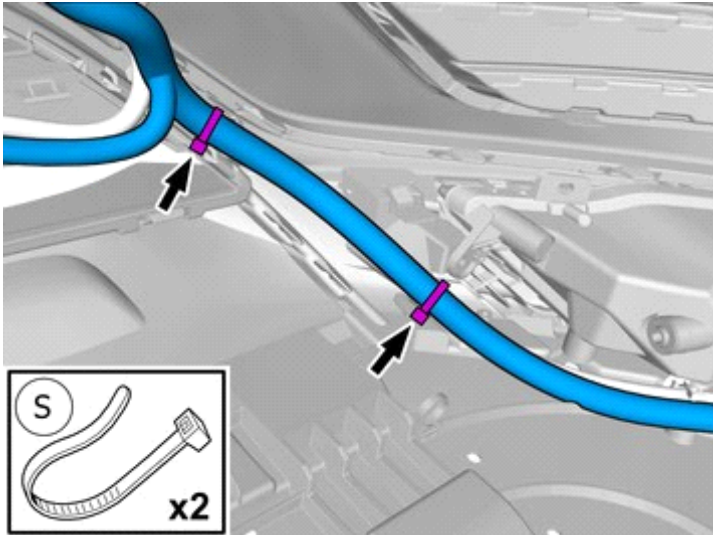
IMG-402127

Route the cable harness to the existing cable harness.

Install the wiring harness.

Use a cable tie

177



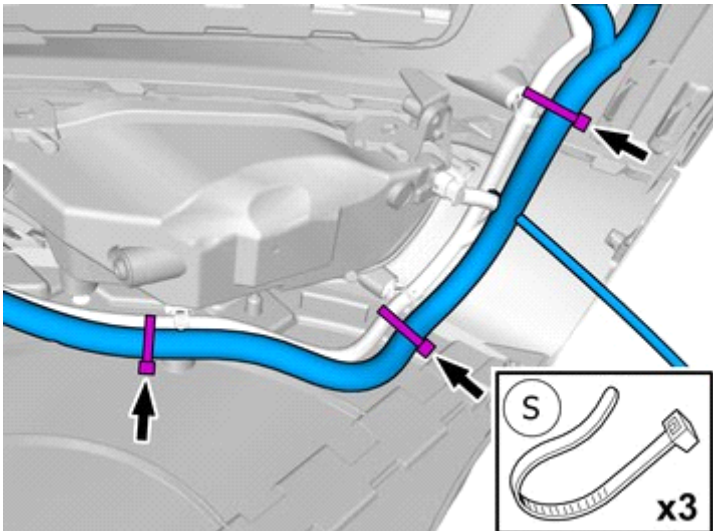
IMG-402129

Route the cable harness to the existing cable harness.

Install the wiring harness.

Use a cable tie

178



IMG-402130

Route the cable harness to the existing cable harness.

Install the wiring harness.

Use a cable tie

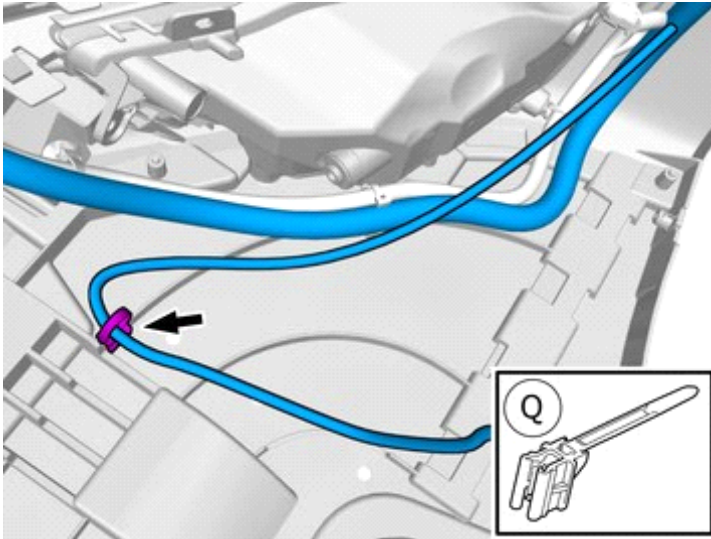


Installation instructions, accessories

Volvo Car Corporation Gothenburg, Sweden

All vehicles

179



IMG-402135

Position/route the cable harness as illustrated.

Install the wiring harness.

Use a cable tie

180



IMG-386842

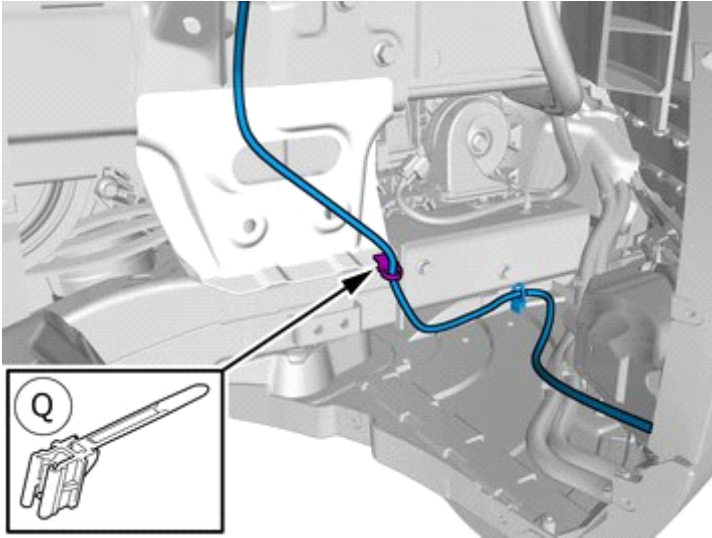
Reinstall the bumper.



Installation instructions, accessories

Volvo Car Corporation Gothenburg, Sweden

181



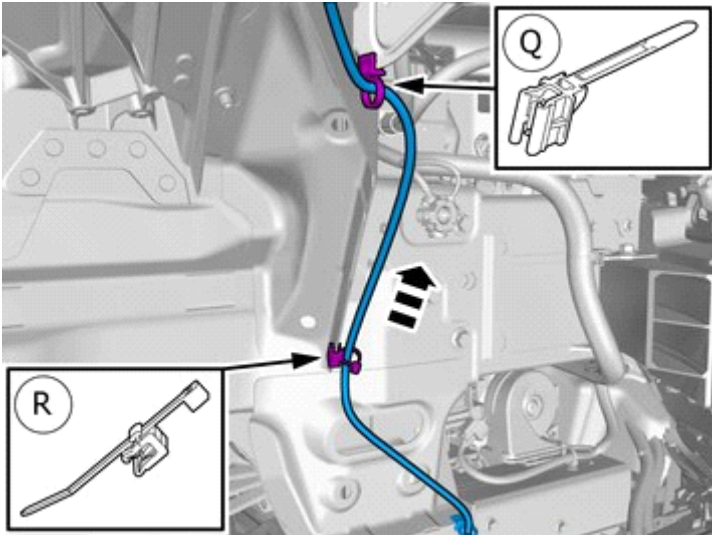
IMG-402170

Position/route the cable harness as illustrated.

Install the wiring harness.

Use a cable tie

182



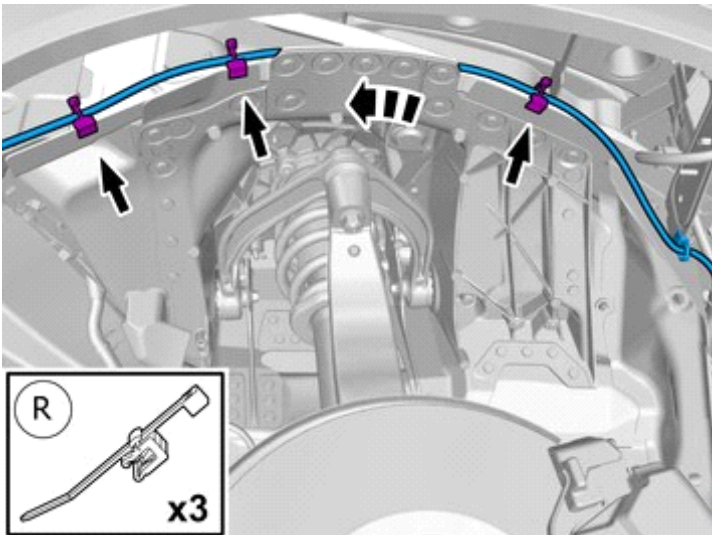
IMG-402171

Position/route the cable harness as illustrated.

Install the wiring harness.

Use a cable tie

183



IMG-402172

Position/route the cable harness as illustrated.

Install the wiring harness.

Use a cable tie

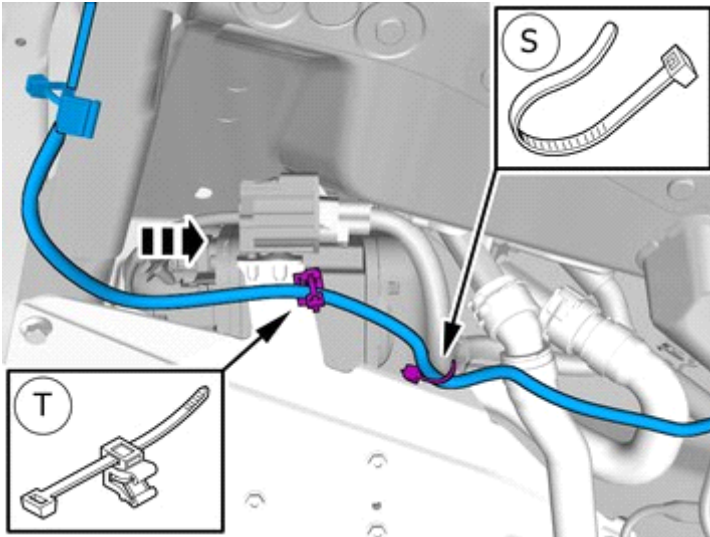


Installation instructions, accessories

Volvo Car Corporation Gothenburg, Sweden

Vehicles with fuel-driven heater

184



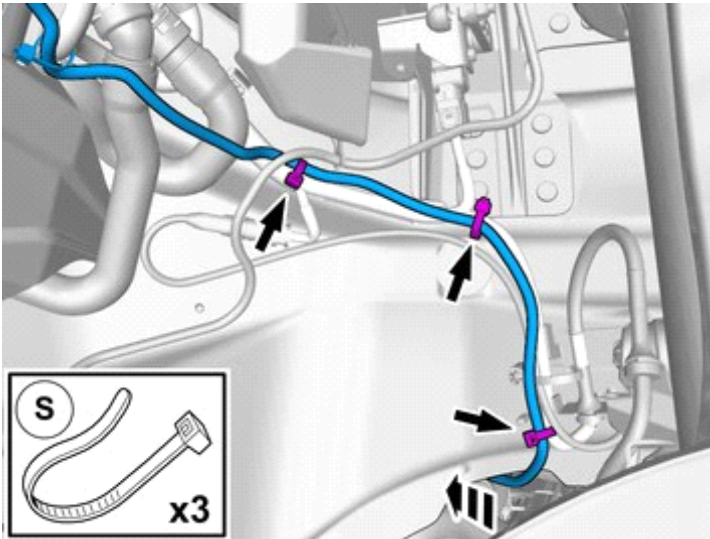
IMG-402180

Position/route the cable harness as illustrated.

Install the wiring harness.

Use a cable tie

185



IMG-402195

Position/route the cable harness as illustrated.

Install the wiring harness.

Use a cable tie

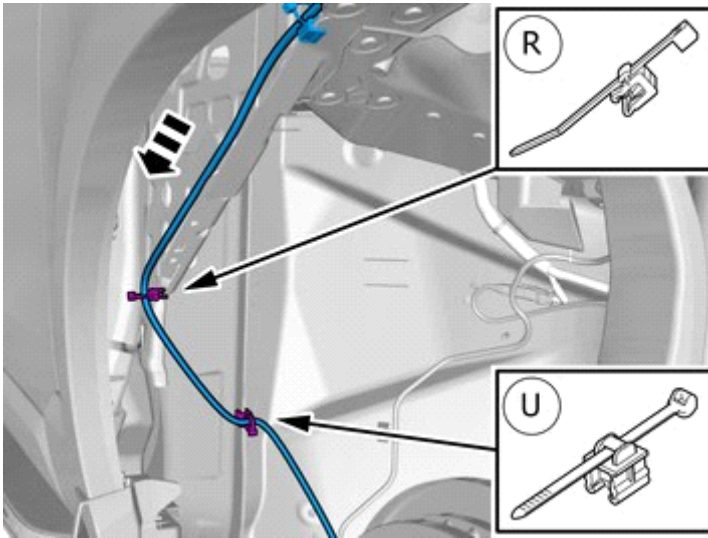
Applies to all other vehicles



Installation instructions, accessories

Volvo Car Corporation Gothenburg, Sweden

186



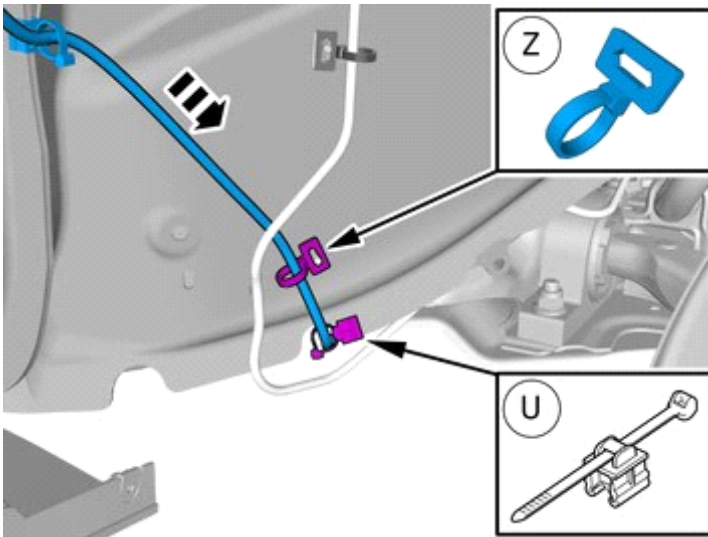
IMG-402210

Position/route the cable harness as illustrated.

Install the wiring harness.

Use a cable tie

187



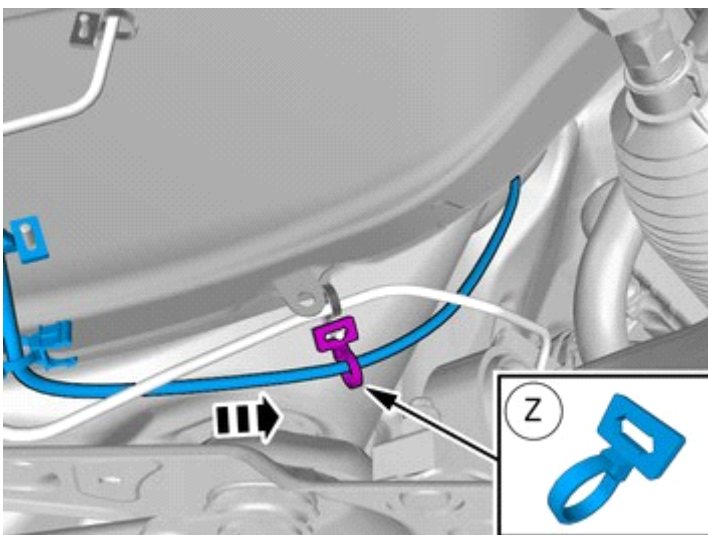
IMG-405410

Position/route the cable harness as illustrated.

Install the wiring harness.

Use a cable tie

188



IMG-405411

Position/route the cable harness as illustrated.

Install the wiring harness.

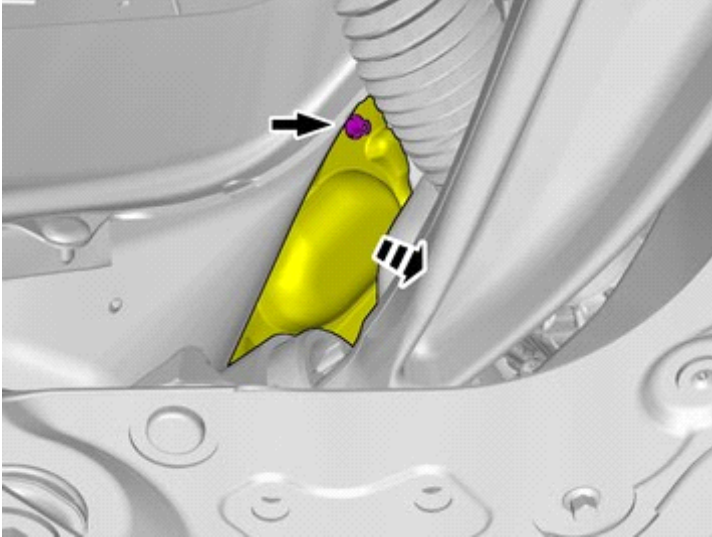
Use a cable tie



Installation instructions, accessories

Volvo Car Corporation Gothenburg, Sweden

189

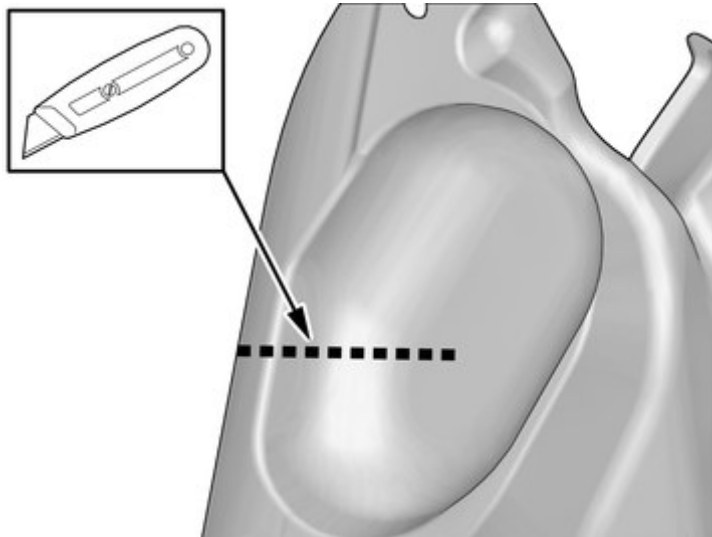


IMG-386950

Remove the nut.

Fold the insulation to one side.

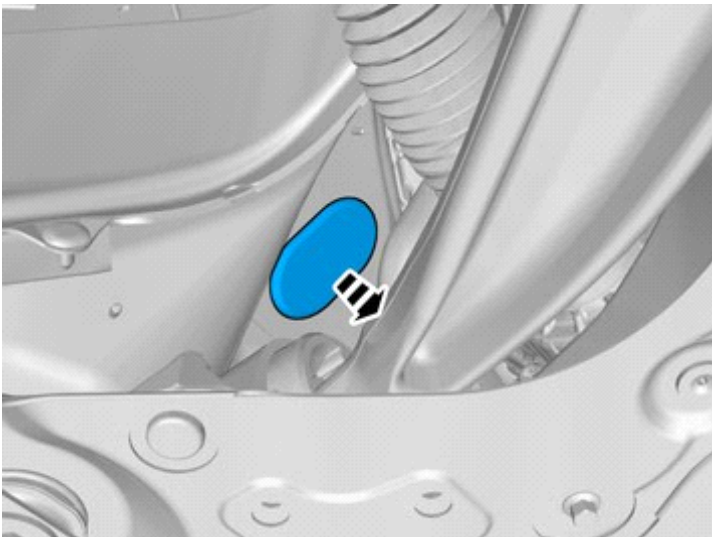
190



IMG-402286

Make a cut in the insulation.

191



IMG-386951

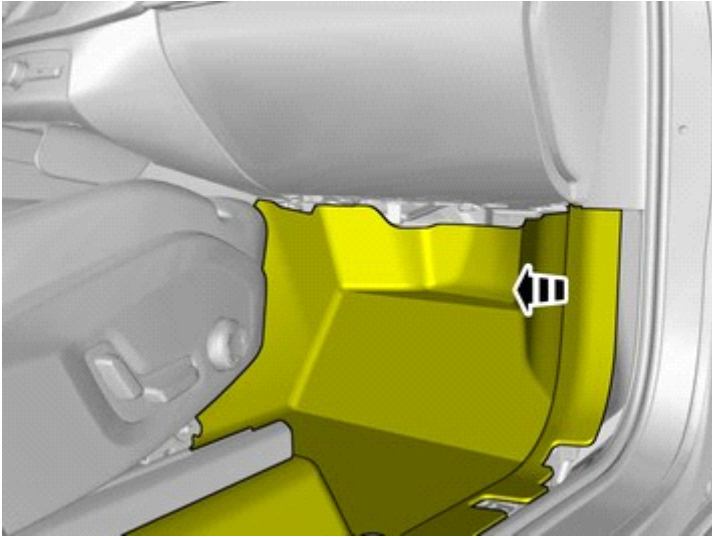
The part is not to be reused.



Installation instructions, accessories

Volvo Car Corporation Gothenburg, Sweden

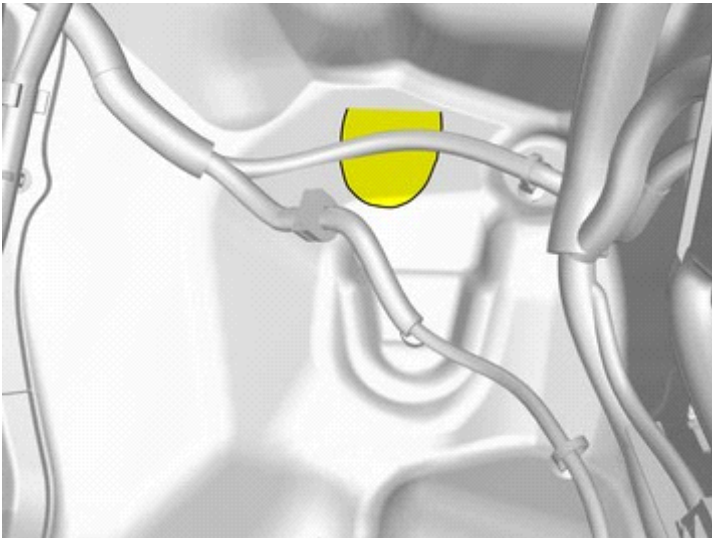
192



IMG-386974

Fold the carpet to the side.

193



IMG-386994

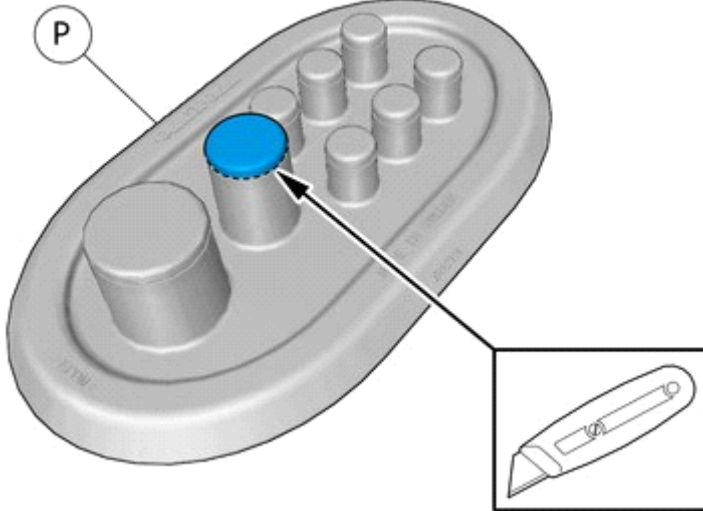
Fold the insulation to one side.



Installation instructions, accessories

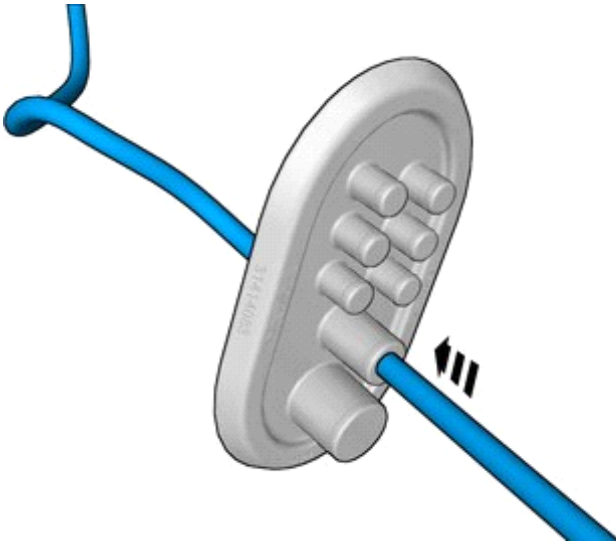
Volvo Car Corporation Gothenburg, Sweden

194



IMG-402237

195



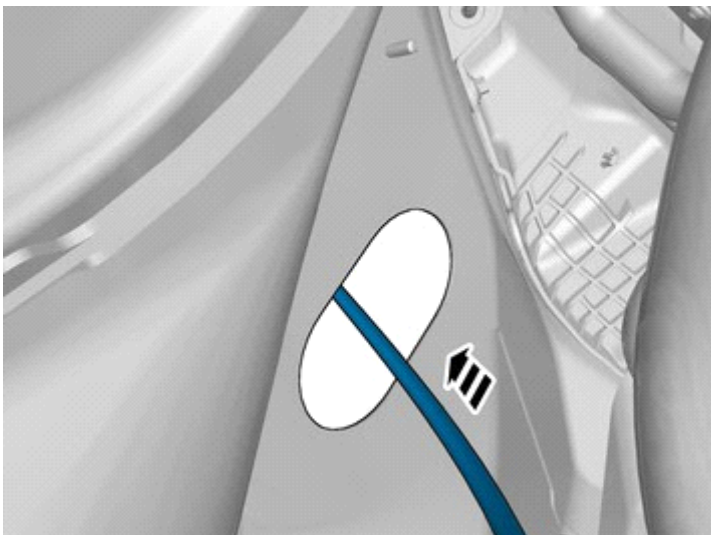
IMG-402238

Pull the wiring through.

Use: 1161150, Lubricant

Use special tool: T9814204, Expander pliers

196



IMG-402275

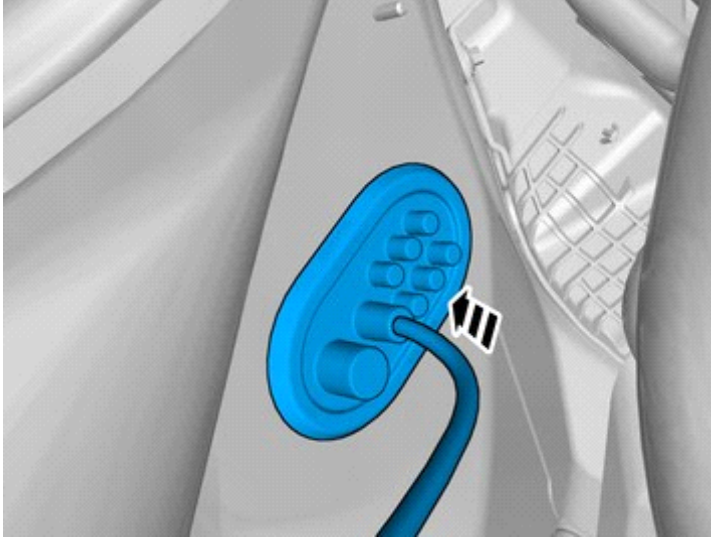
Route the wiring harness into the passenger compartment.



Installation instructions, accessories

Volvo Car Corporation Gothenburg, Sweden

197



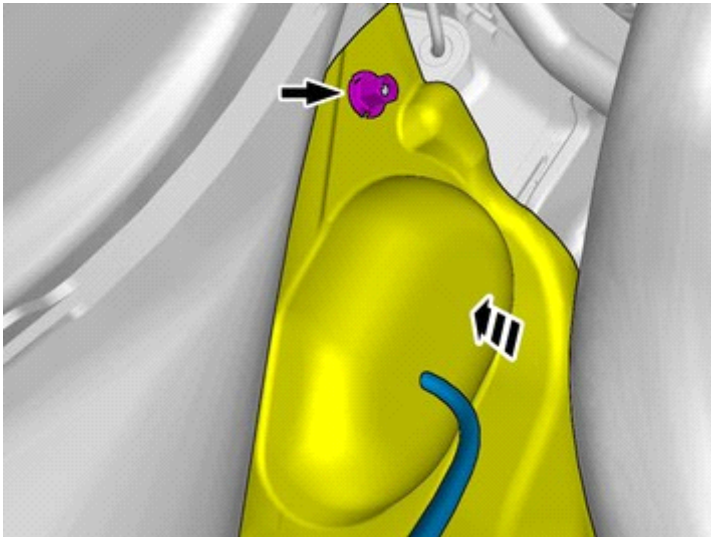
IMG-402277

Caution!

Make sure that the rubber grommet seals properly to the body.

Insert the cable in to the passenger compartment, adjust the cable length out into the engine compartment and secure the rubber grommet.

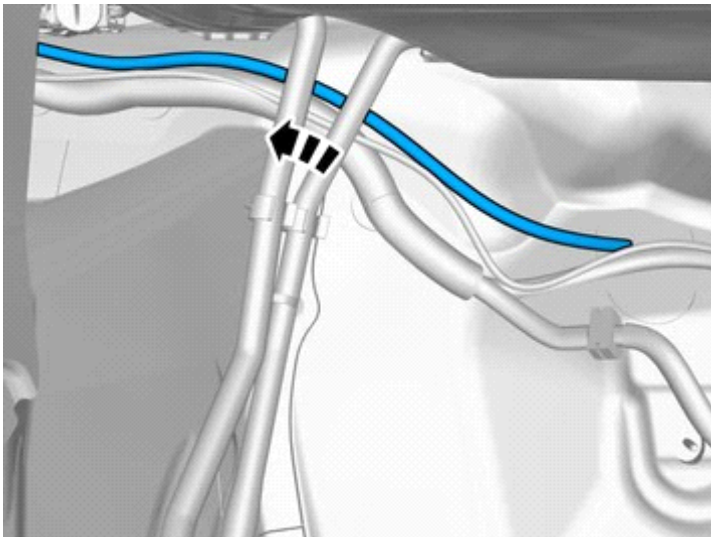
198



IMG-402285

Install the nut.

199



IMG-386995

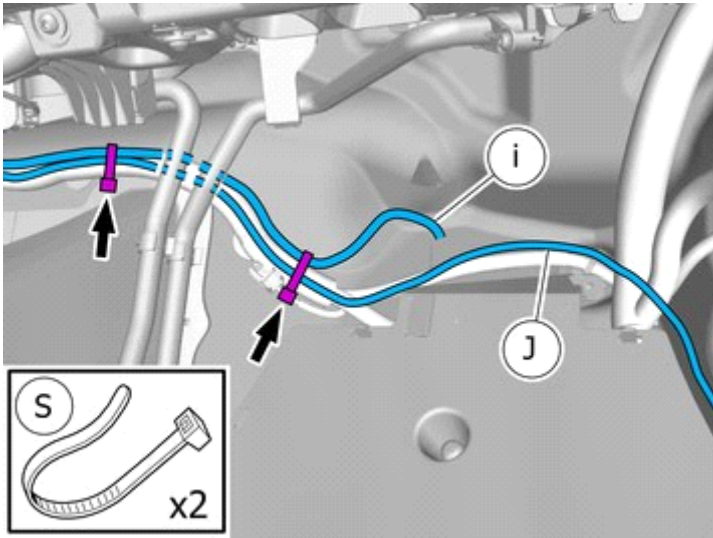
Position/route the cable as illustrated.



Installation instructions, accessories

Volvo Car Corporation Gothenburg, Sweden

200

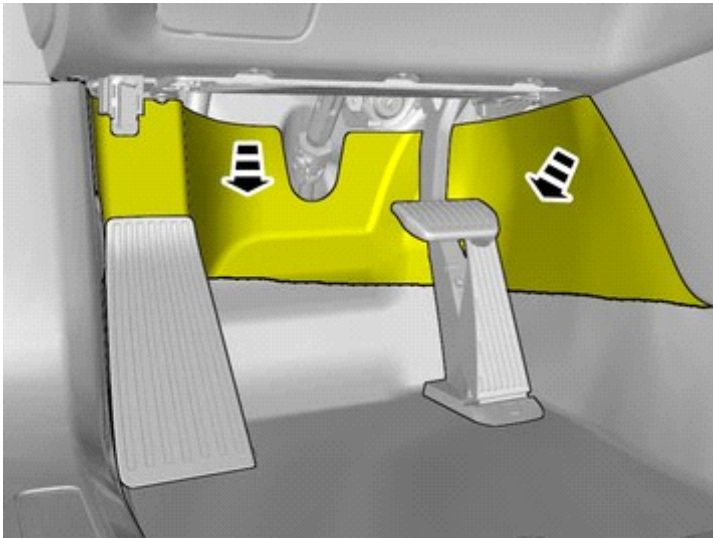


IMG-402370

Install the cables.

Use a cable tie

201



IMG-386826

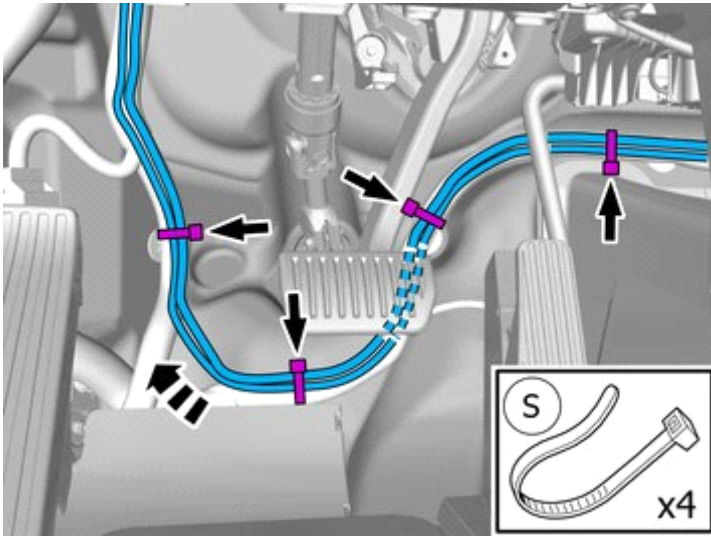
Fold the carpet to the side.



Installation instructions, accessories

Volvo Car Corporation Gothenburg, Sweden

202



IMG-402386

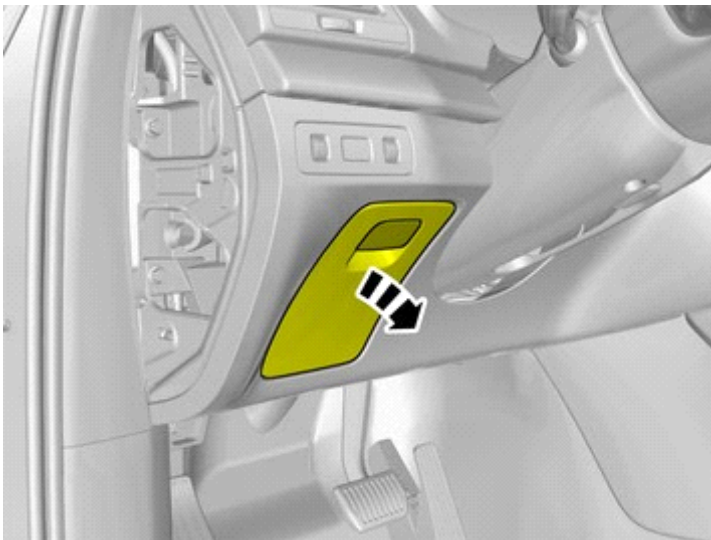
Install the cables.

Use a cable tie

Position/route the cables as illustrated.

Removal

203



IMG-387085



Installation instructions, accessories

Volvo Car Corporation Gothenburg, Sweden

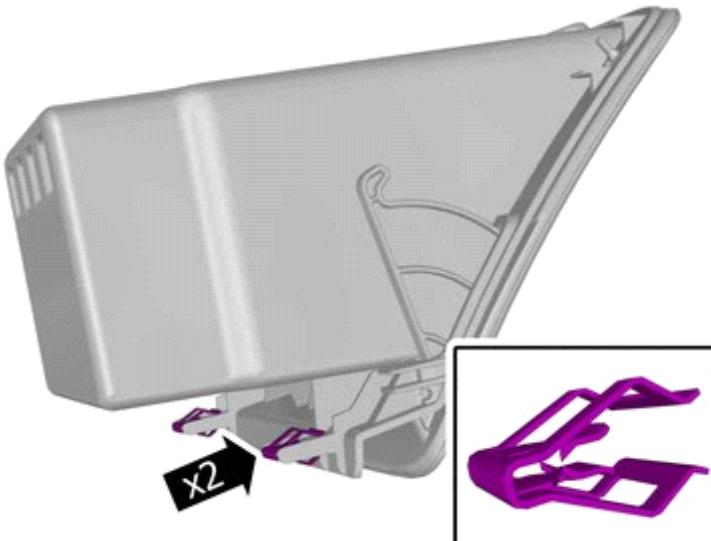
204



IMG-387086

Remove the screws.

205



IMG-403400

Note!

The graphic shows the back of the component before removal.

206



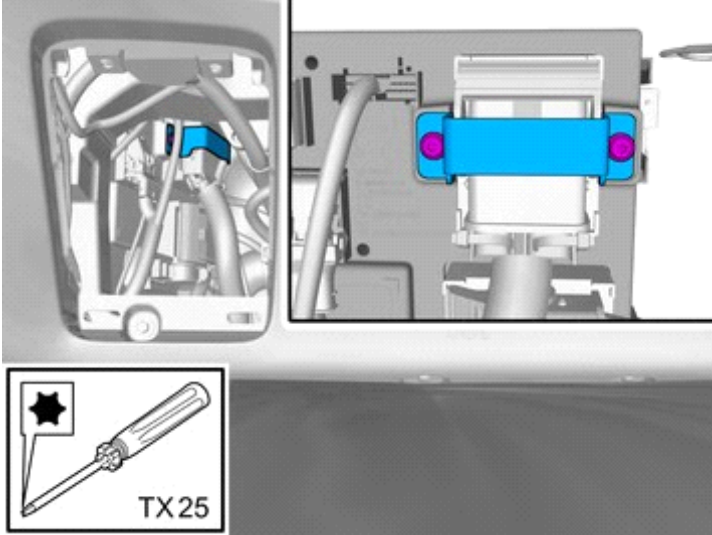
IMG-387107



Installation instructions, accessories

Volvo Car Corporation Gothenburg, Sweden

207

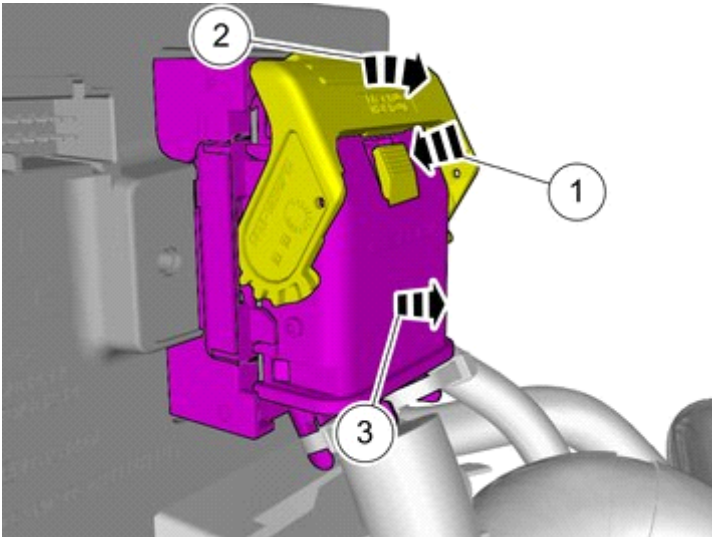


IMG-387123

Remove the screws.

Remove the marked part.

208



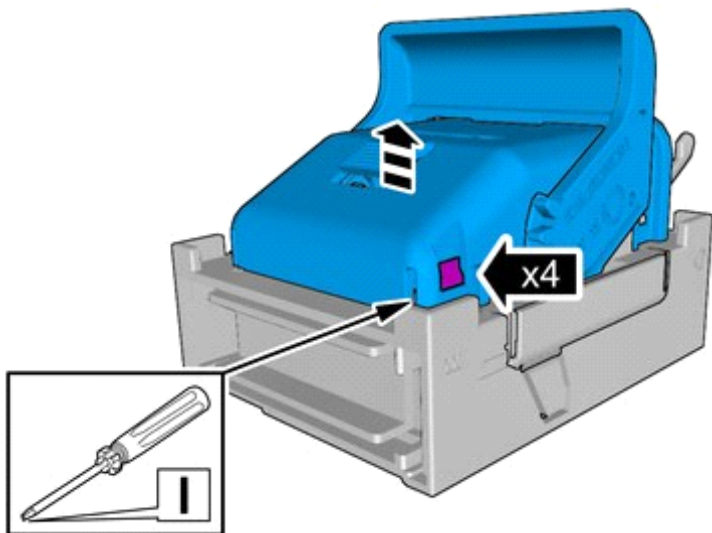
IMG-387398

1. Depress the locking device.

2. Release the connector's catch.

3. Disconnect the connector.

209



IMG-387423

Release the catches.

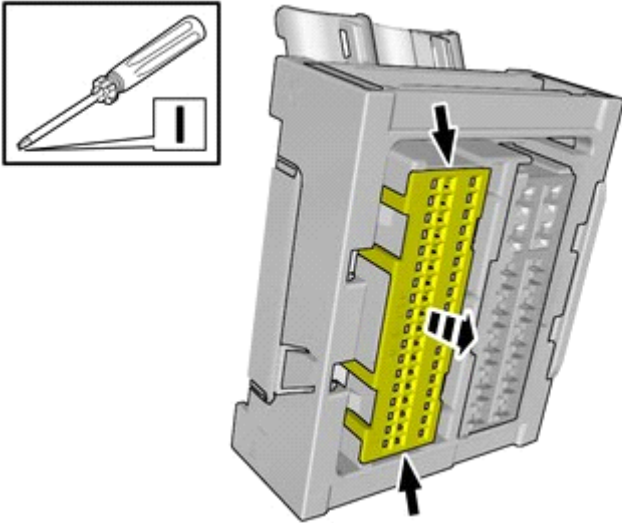
Remove the marked part.



Installation instructions, accessories

Volvo Car Corporation Gothenburg, Sweden

210



IMG-400415

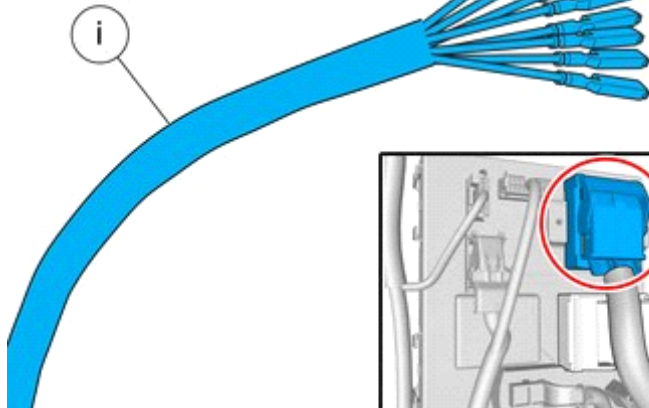
Release the connector's secondary lock.

Lift approximately 2 mm.

Accessory installation

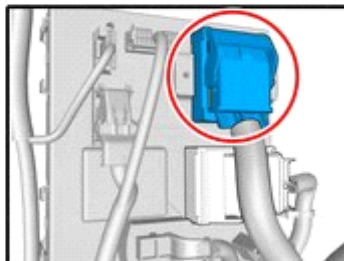
211

FRONT HARNESS



IMG-410552

Note!
Orientation view



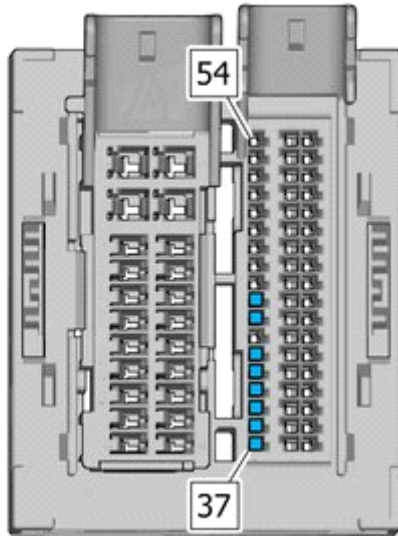


Installation instructions, accessories

Volvo Car Corporation Gothenburg, Sweden

212

- | | |
|------|-------|
| Pos. | |
| 37 | BU |
| 38 | YE-WH |
| 39 | WH-OG |
| 40 | VT-WH |
| 41 | WH-GN |
| 42 | GY-OG |
| 44 | BN-YE |
| 45 | BN-WH |

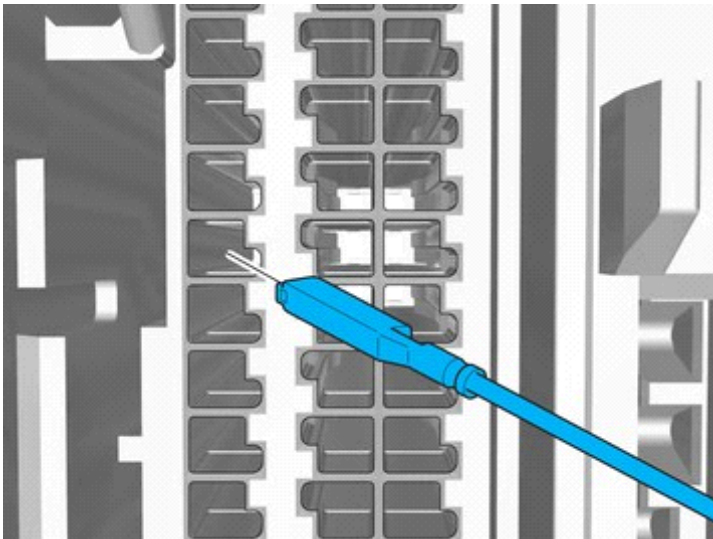


Connect the prerouted wiring harness.

Connect the cable harness terminals in the connector as follows.

IMG-387476

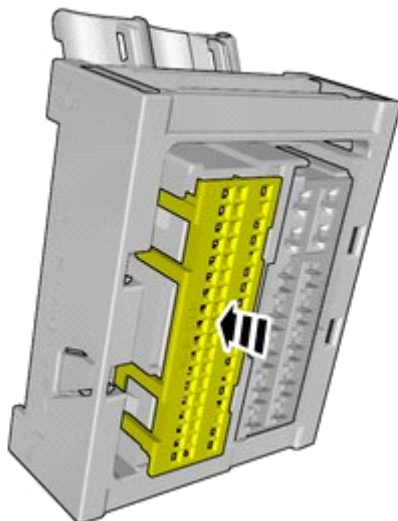
213



Note!
Note the position.

IMG-402395

214

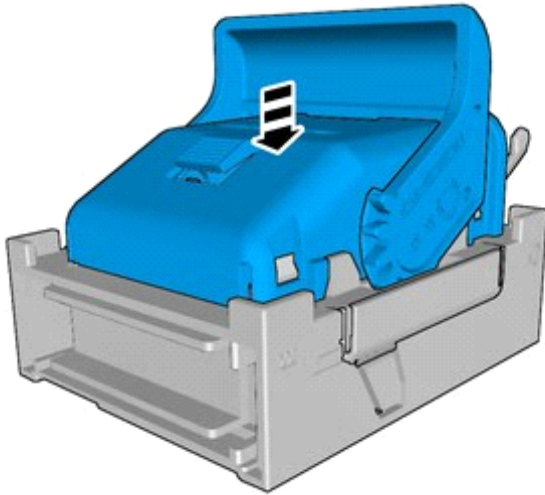


Depress the secondary lock.

IMG-400383



215

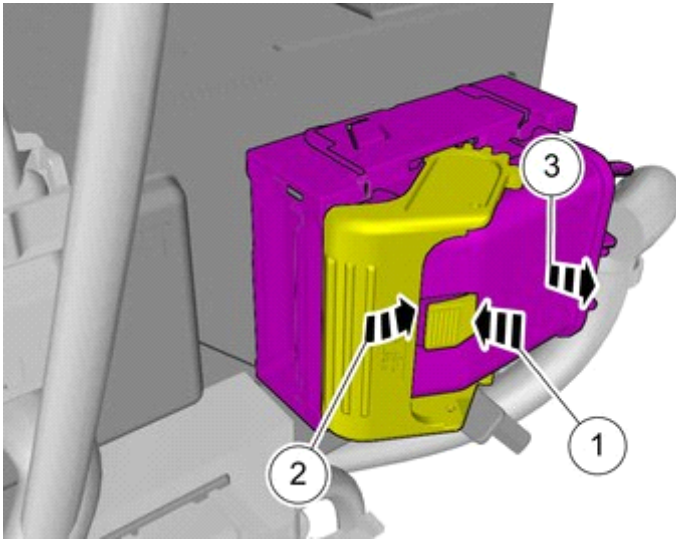


Reinstall the removed part.

IMG-387424

Removal

216



IMG-387415

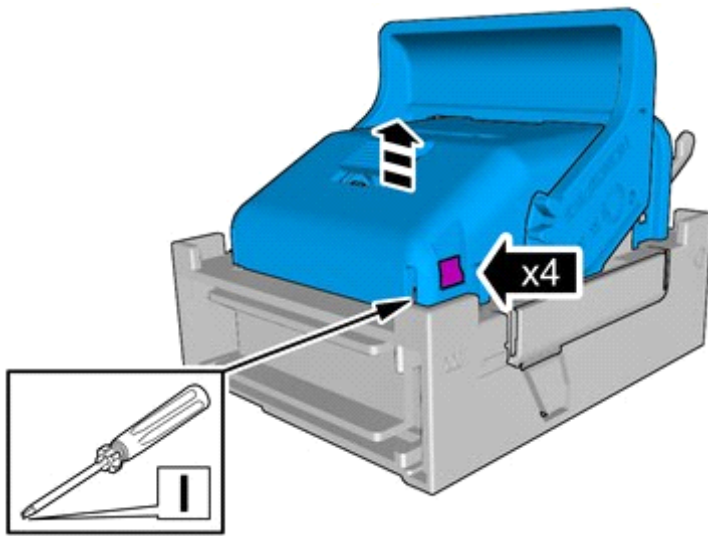
1. Depress the locking device.
2. Release the connector's catch.
3. Disconnect the connector.



Installation instructions, accessories

Volvo Car Corporation Gothenburg, Sweden

217

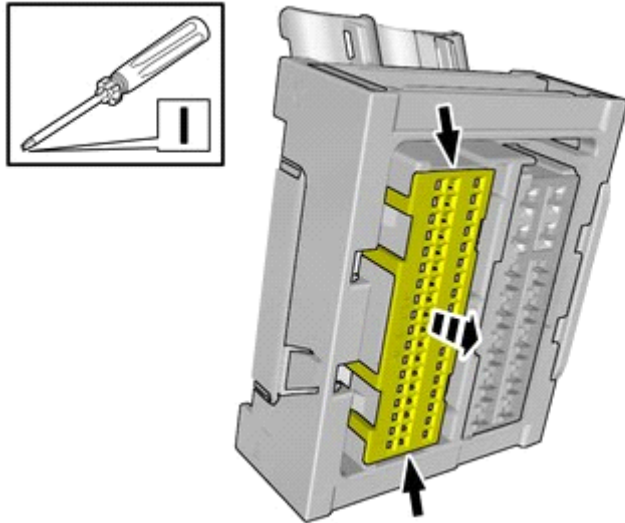


IMG-387423

Release the catches.

Remove the marked part.

218

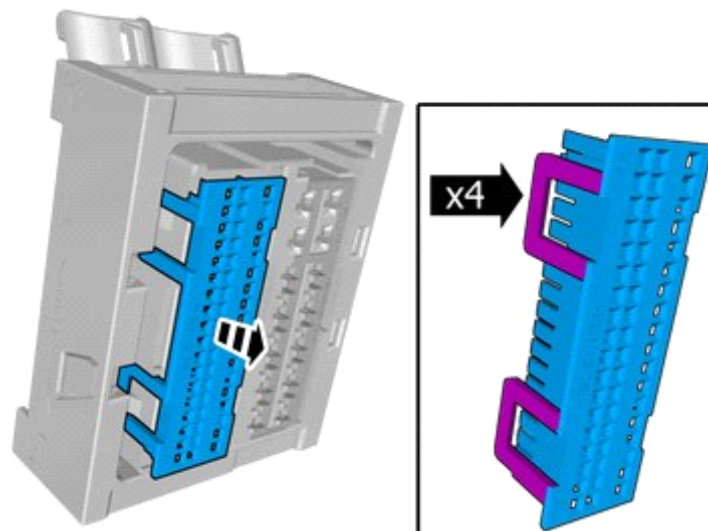


IMG-400415

Release the connector's secondary lock.

Lift approximately 2 mm.

219



IMG-409615

Release the catches.

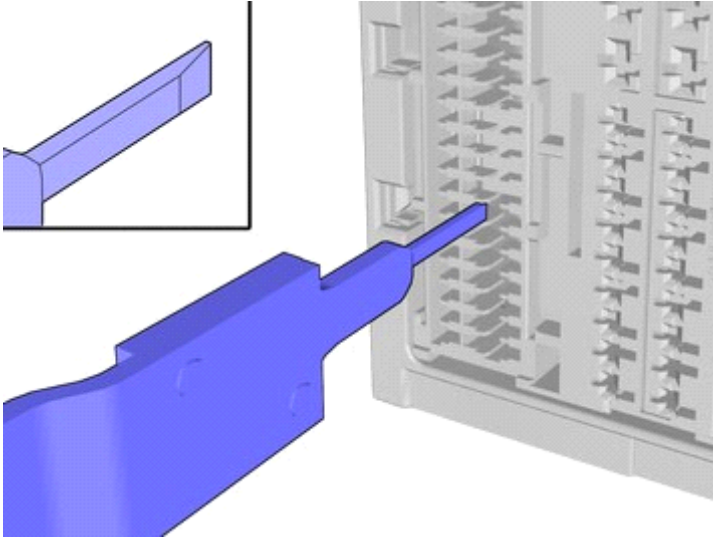
Remove the marked part.



Installation instructions, accessories

Volvo Car Corporation Gothenburg, Sweden

220

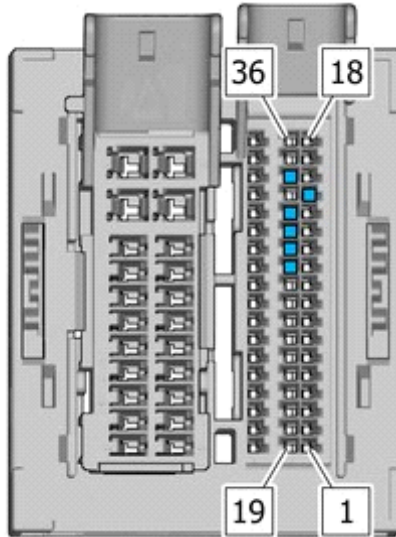


IMG-409805

Use special tool: T9512632, Terminal removal tool (Color code: RED)

221

Pos.	
15	BN-GY
29	GN-YE
30	WH-OG
31	GY-YE
32	YE-OG
34	BN-WH



IMG-409625

Disconnect terminals from the connector, following the graphic.

Accessory installation

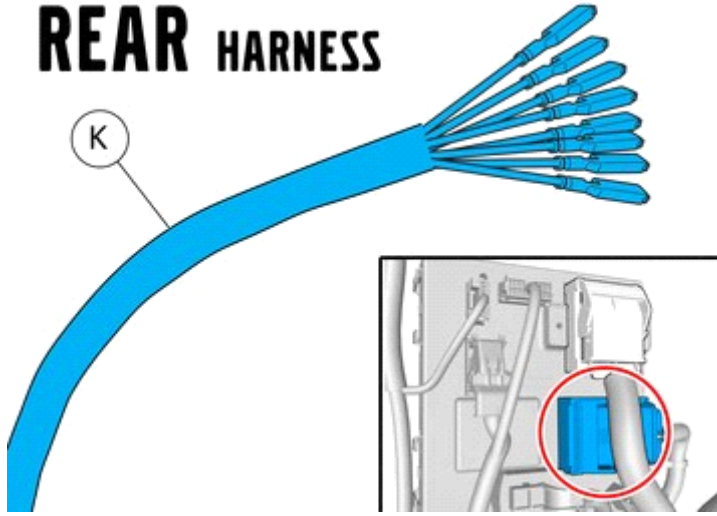


Installation instructions, accessories

Volvo Car Corporation Gothenburg, Sweden

222

REAR HARNESS

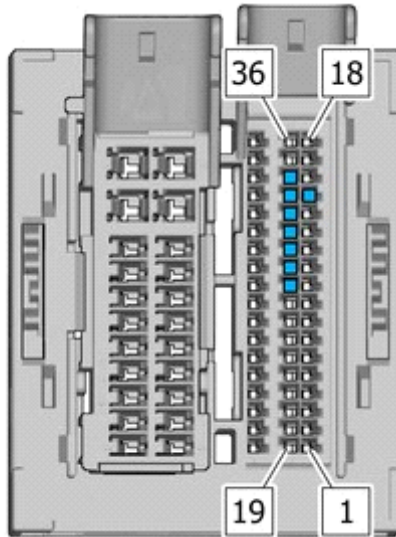


IMG-410553

Note!
Orientation view

223

Pos.	
15	BN-GY
28	GY-OG
29	GN-YE
30	WH-OG
31	GY-YE
32	YE-OG
33	BN-YE
34	BN-WH

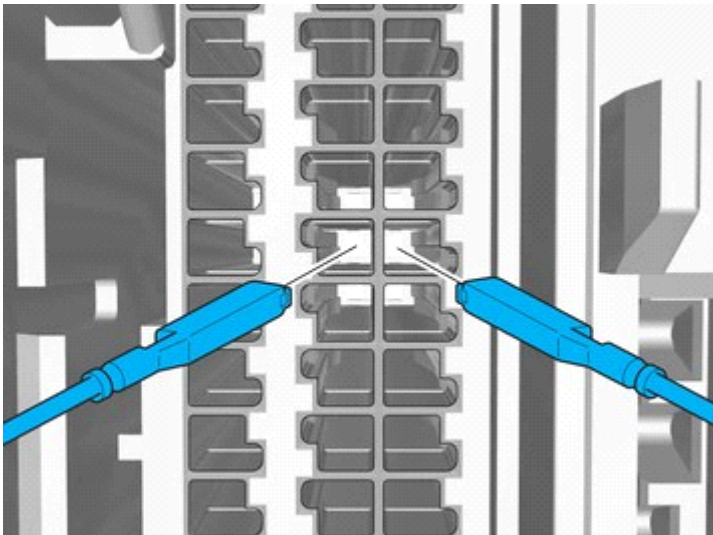


IMG-409560

Connect the prerouted wiring harness.

Connect the cable harness terminals in the connector as follows.

224



IMG-409561

Note!
Note the position.

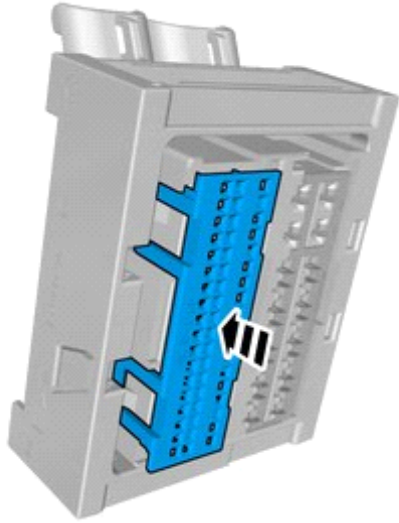


Installation instructions, accessories

Volvo Car Corporation Gothenburg, Sweden

225

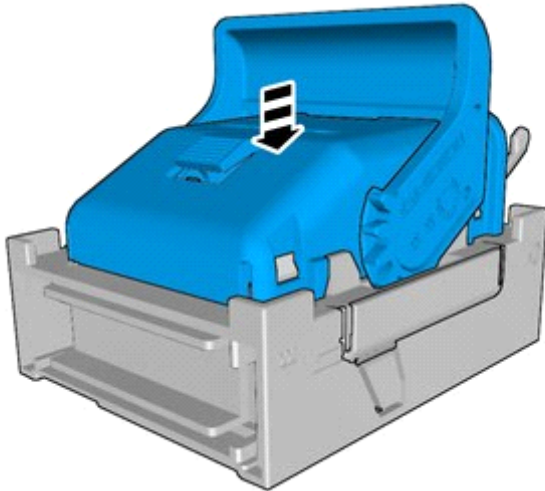
Depress the secondary lock.



IMG-409626

226

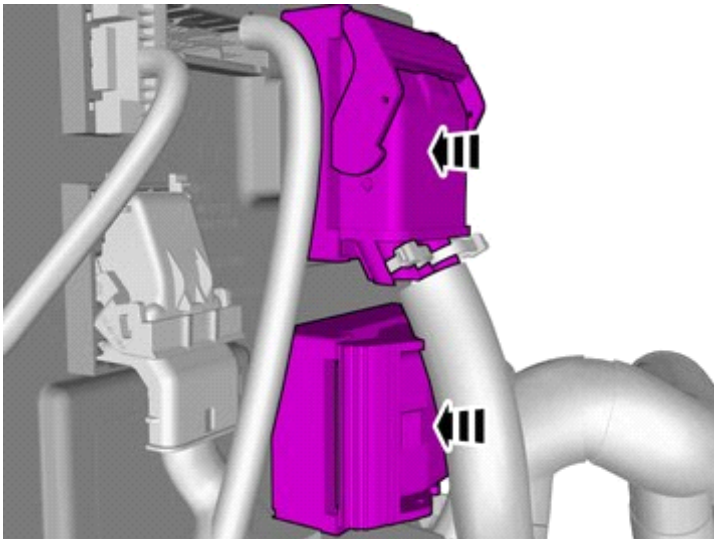
Reinstall the removed part.



IMG-387424

227

Connect the connectors.



IMG-387144



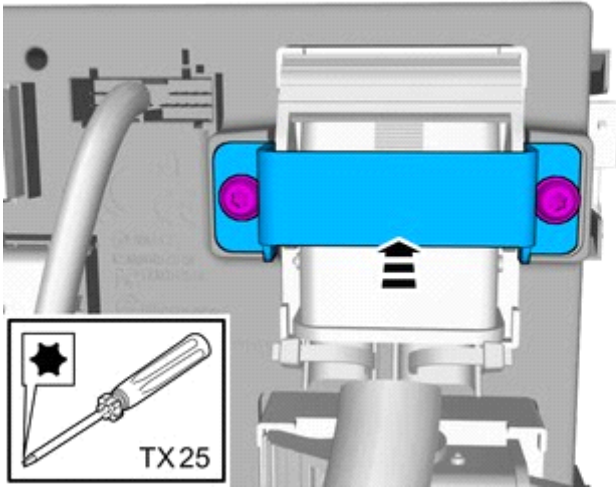
Installation instructions, accessories

Volvo Car Corporation Gothenburg, Sweden

228

Reinstall the removed part.

Reinstall the screws.

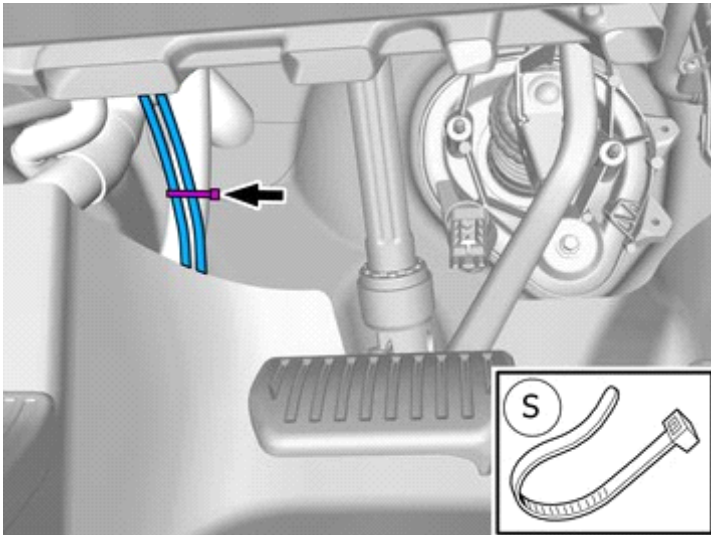


IMG-387145

229

Install the cables.

Use a cable tie



IMG-403372



Installation instructions, accessories

Volvo Car Corporation Gothenburg, Sweden

230

VIDA

Caution!

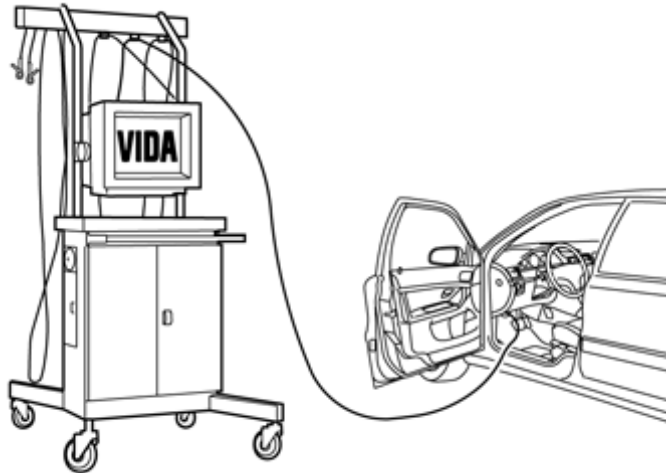
A change to another tire size will cause changes in tire circumference. This will affect the Parking assistance pilot function.

Check that the tire dimension stated in the vehicle configuration, corresponds to the actual tire dimension of the vehicle.

If this does not correspond, download correct software.

IMG-40005

231



Download software (application) for the accessory's function according to the service information in VIDA.

IMG-242268